

### TECHNICAL DATA

Aluminum (A01)	210 bar
Body Pressure Rating:	
Steel (T01)	350 bar
Body Pressure Rating:	

Cavity: Refer to 11A3 13A2  
\* Refer to Winner Cartridge Valves Catalog.

Aluminum	0.5 kg(WITHOUT VALVES)
Steel	1.37 kg(WITHOUT VALVES)

\* If you need the special specification.  
Please contact us.

### X CARTRIDGE VALVES SELECTION

<b>11A3</b>	CAVITY ONLY(WITHOUT VALVE)
<b>PBOA</b>	PB11A30AL (40LPM , 7-210bar)

Please refer to the list price of cartridge program.

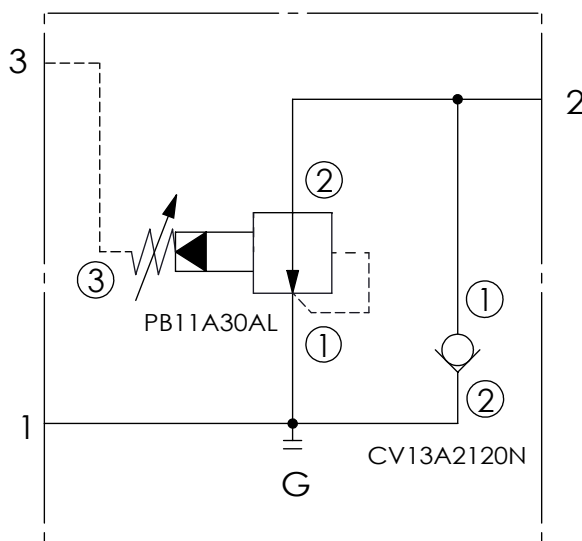
### Y SELECTION FOR SOLENOID VALVES (REFER TO CV13A-X-Y-Z)

<b>13A2</b>	CAVITY ONLY(WITHOUT VALVE)
<b>CV2120</b>	CV13A2120N(60LPM,2.0bar)

Please refer to the list price of cartridge program.

### TYPICAL CIRCUIT:

PORT 2 TO PORT 1  
REDUCING



### Z PORT SIZE

Z	PORTS		
	1,2	3	G
<b>G03AG</b>	G 3/8"	G 1/4"	G 1/4"
<b>G04AG</b>	G 1/2"	G 1/4"	G 1/4"
<b>G04BG</b>	G 1/2"	G 3/8"	G 1/4"
<b>S08AG</b>	SAE 8	SAE 6	1/4"NPT