

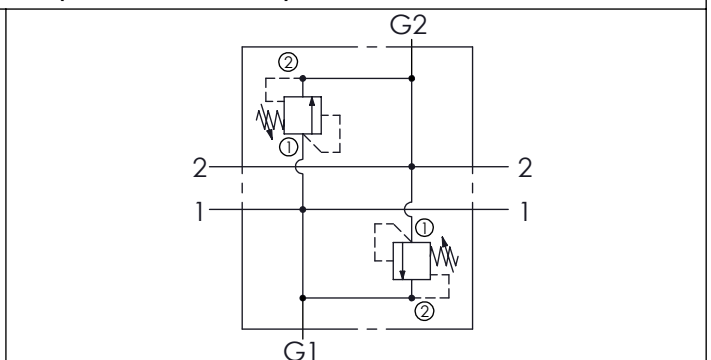
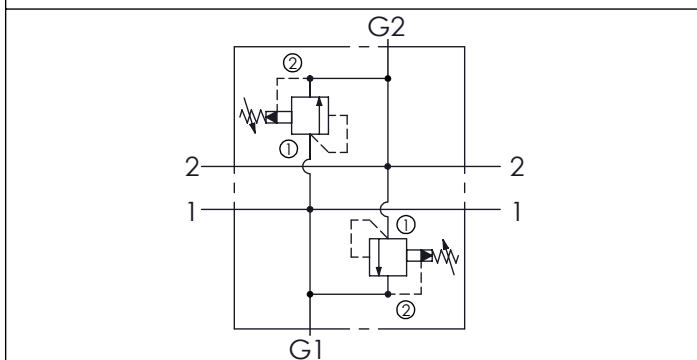
TECHNICAL DATA	
Aluminum (A01)	
Body Pressure Rating:	210 bar
Steel (T01)	
Body Pressure Rating:	350 bar
Cavity: Refer to 3A2	
* Refer to Winner Cartridge Valves Catalog.	
Aluminum	2.58 kg(WITHOUT VALVES)
Steel	7.55 kg(WITHOUT VALVES)
* If you need the special specification. Please contact us.	

Y	SELECTION FOR V2 PORT CONTROL
3A2	CAVITY ONLY(WITHOUT VALVE)
RP0A	RP3A20AL (200LPM , 7-210bar)
RD5A	RD3A25AL (200LPM,35-210bar)
Please refer to the list price of cartridge program.	

X	SELECTION FOR V1 PORT CONTROL
3A2	CAVITY ONLY(WITHOUT VALVE)
RP0A	RP3A20AL (200LPM , 7-210bar)
RD5A	RD3A25AL (200LPM,35-210bar)

Z	PORT SIZE		
	PORT 1	PORT 2	PORT G
S16G	SAE 16	SAE 16	1/4"NPT

HYDRAULIC CIRCUITS(WITH VALVES)



Ordering Code: **ML-120-RDH-RP0A-RP0A-Z-A02**

Ordering Code: **ML-120-RDH-RD5A-RD5A-Z-A02**