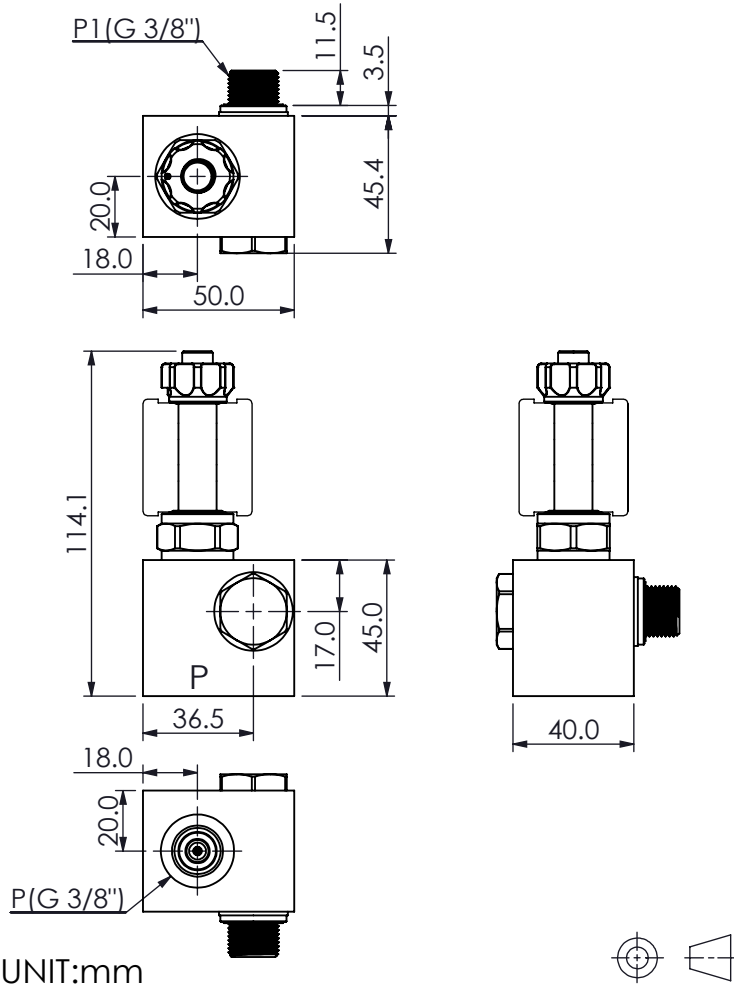
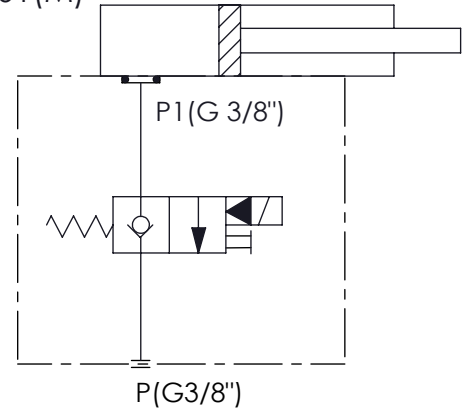


LINE MOUNT BODIES

Ordering Code: **ML-08W2-X-Y 51-Z**



Z=EP01 (M)



TECHNICAL DATA

Aluminum Body Pressure Rating: 210 bar

Steel Body Pressure Rating: 350 bar

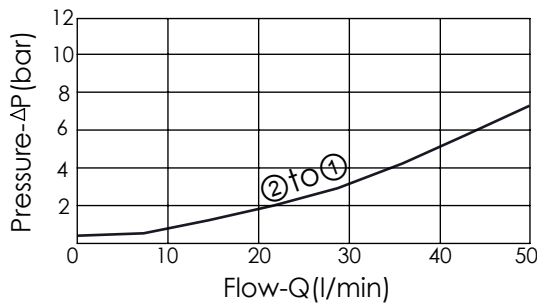
Rated flow: 40 l/min

Cartridge Valve:
Refer to EP08W-X-Y-Z

* Refer to Winner Cartridge Valves Catalog.

Aluminum	0.28 kg (WITHOUT VALVES)
	0.41 kg (INCLUDE VALVES, WITHOUT COILS)
Steel	0.64 kg (WITHOUT VALVES)
	0.77 kg (INCLUDE VALVES, WITHOUT COILS)

* If you need the special specification. Please contact us.



PORT SIZE

X	PORT	PORT	
	P	P1	
G03	G 3/8"	G 3/8"	

Y BODY MATERIAL

A HIGH-STRENGTH ALUMINUM

T STEEL (black oxide)

H STEEL (Zinc-Nickel plating)

Z SELECTION FOR SOLENOID VALVES (REFER TO EP08W-X-Y-Z)

WITHOUT VALVE

EP01 EP08W2A01N05, 40LPM, 350bar (NORMALLY CLOSED, WITHOUT COIL)

EP02 EP08W2A02N05, 40LPM, 350bar (NORMALLY OPEN, WITHOUT COIL)

EP01M EP08W2A01M05, 40LPM, 350bar (NORMALLY CLOSED WITH KNOB STYLE MANUAL OVERRIDE, WITHOUT COIL)

EP02P EP08W2A02P05, 40LPM, 350bar (NORMALLY OPEN WITH PUSH STYLE MANUAL OVERRIDE, WITHOUT COIL)

COIL MUST BE ORDERED SEPARATELY (REFER TO EC-04W-X-Y-Z)