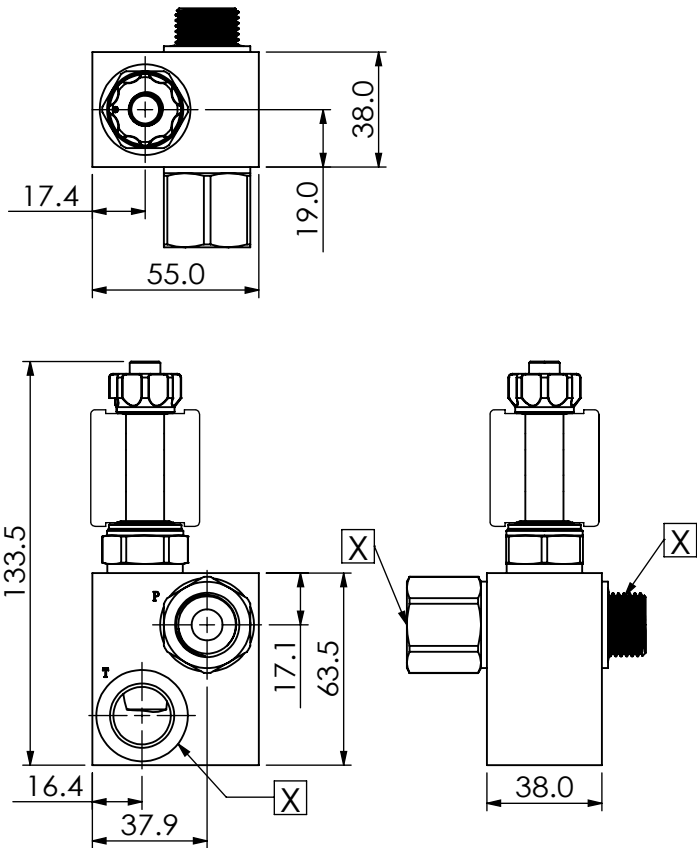
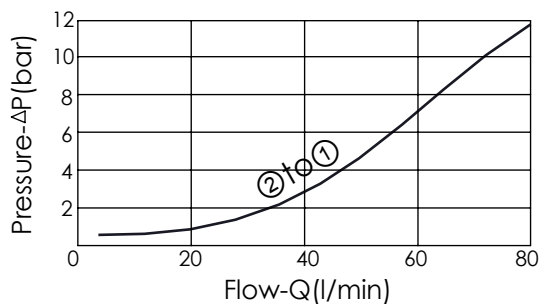


## LINE MOUNT BODIES

Ordering Code: **ML-10W2-X-Y 51-Z**



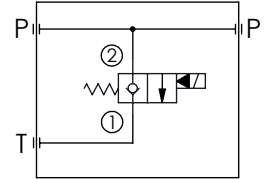
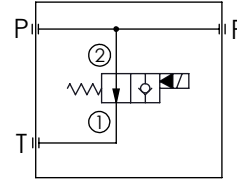
UNIT:mm



(Poppet 2-Way Normally -Open Cartridge Style) (Poppet 2-Way Normally -Closed Cartridge Style)

**X=EP02(P)**

**X=EP01(M)**



### TECHNICAL DATA

Aluminum Body Pressure Rating: 210 bar

Steel Body Pressure Rating: 350 bar

Rated flow: 70 l/min

Cartridge Valve:  
Refer to EP10W-X-Y-Z

\* Refer to Winner Cartridge Valves Catalog.

Aluminum	0.44 kg(WITHOUT VALVES) 0.6 kg(INCLUDE VALVES ,WITHOUT COILS)
Steel	0.96 kg(WITHOUT VALVES) 1.12 kg(INCLUDE VALVES ,WITHOUT COILS)

\* If you need the special specification.  
Please contact us.

### PORT SIZE

X	PORT	
	P	T
<b>G03</b>	G 3/8"	G 3/8"
<b>G04</b>	G 1/2"	G 1/2"

**Y** BODY MATERIAL

**A** HIGH-STRENGTH ALUMINUM

**T** STEEL (black oxide)

**Z** SELECTION FOR SOLENOID VALVES  
(REFER TO EP10W-X-Y-Z)

WITHOUT VALVE

**EP01** EP10W2A01N05 , 70LPM,350bar  
(NORMALLY CLOSED,WITHOUT COIL)

**EP02** EP10W2A02N05 , 70LPM,350bar  
(NORMALLY OPEN,WITHOUT COIL)

**EP01M** EP10W2A01M05 , 70LPM,350bar(NORMALLY CLOSED  
WITH KNOB STYLE MANUAL OVERRIDE,WITHOUT COIL)

**EP02P** EP10W2A02P05 , 70LPM,350bar(NORMALLY OPEN  
WITH PUSH STYLE MANUAL OVERRIDE,WITHOUT COIL)

COIL MUST BE ORDERED SEPARATELY  
(REFER TO EC-04W-X-Y-Z)