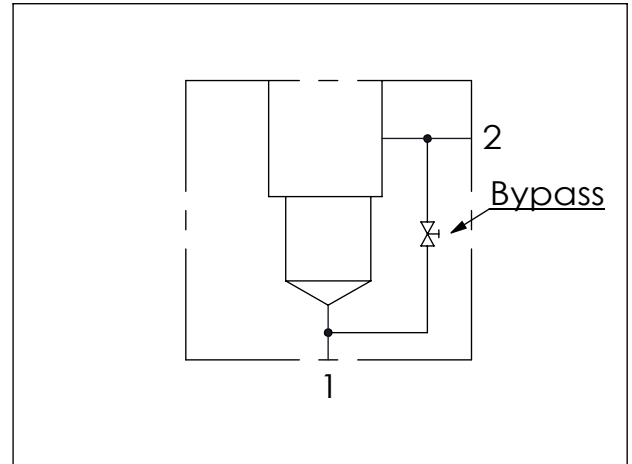
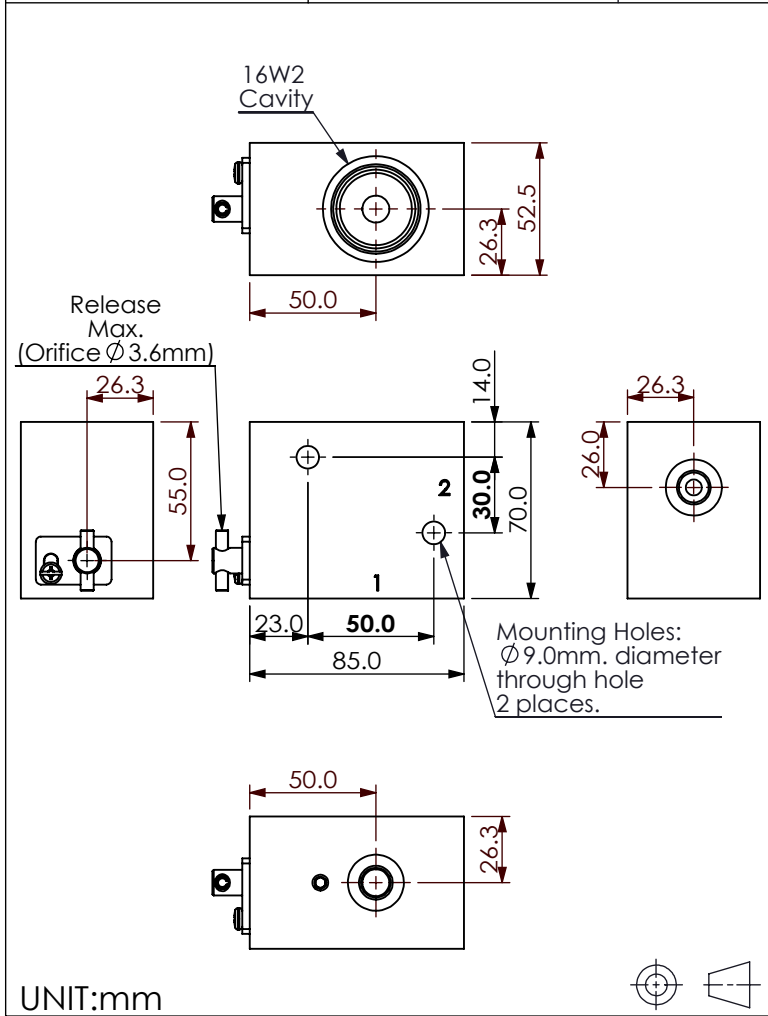


Ordering Code: **ML-16W2-X-Y 31-Z**



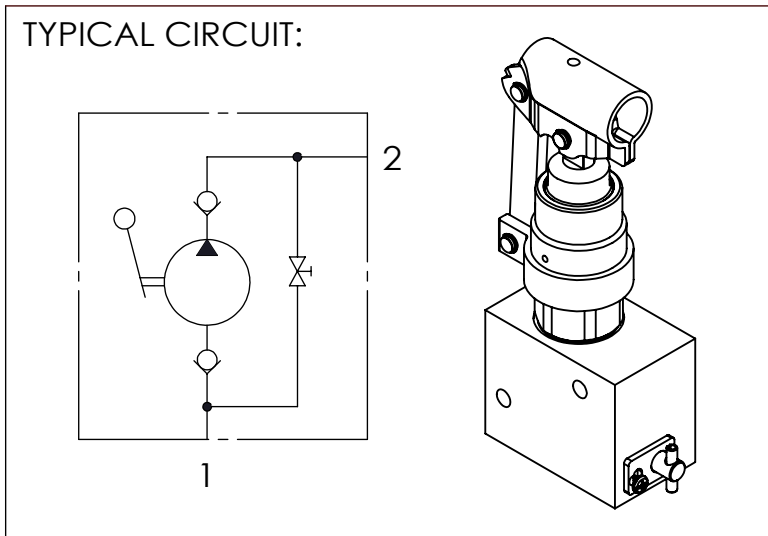
TECHNICAL DATA

Aluminum Body Pressure Rating: 210 bar
 Steel Body Pressure Rating: 350 bar

Cavity:
 Refer to 16W2
 * Refer to Winner Cartridge Valves Catalog.

Aluminum	0.74 kg(WITHOUT VALVES)

* If you need the special specification. Please contact us.



X	PORT SIZE		
	PORT 1	PORT 2	
G02	G 1/4"	G 1/4"	

Y	BODY MATERIAL
AR	HIGH-STRENGTH ALUMINUM

Z	CARTRIDGE VALVES SELECTION
	WITHOUT VALVE
HPOA	HP16W20AN (YDRAULIC HAND PUMP 21.3CC)

Please refer to the list price of cartridge program.