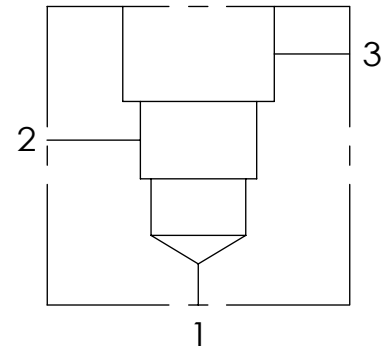
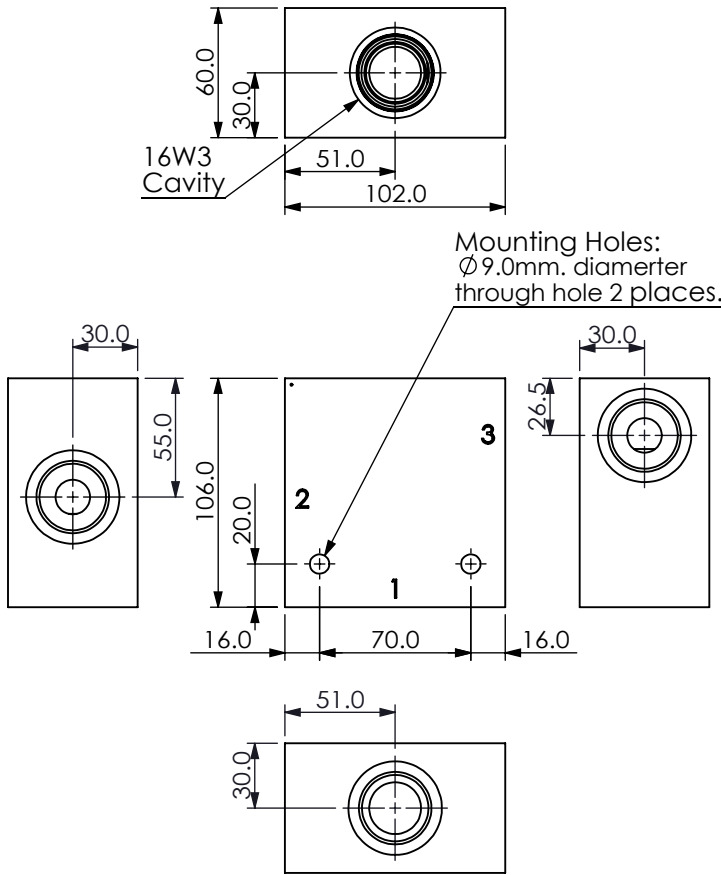


Ordering Code: **ML-16W3-X-Y 01-Z**



TECHNICAL DATA

Aluminum Body Pressure Rating: 210 bar

Steel Body Pressure Rating: 350 bar

Cavity:

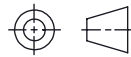
Refer to 16W3

* Refer to Winner Cartridge Valves Catalog.

Aluminum	1.4 kg(WITHOUT VALVES)
----------	------------------------

* If you need the special specification. Please contact us.

UNIT:mm



PORT SIZE

X	PORTS	PORT	
	1,2	3	
G08	G 1"	G 1"	

Y BODY MATERIAL

A HIGH-STRENGTH ALUMINUM

Z CARTRIDGE VALVES SELECTION

WITHOUT VALVE