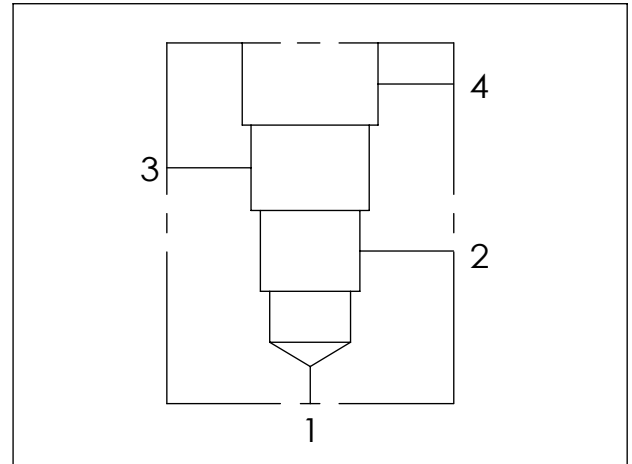
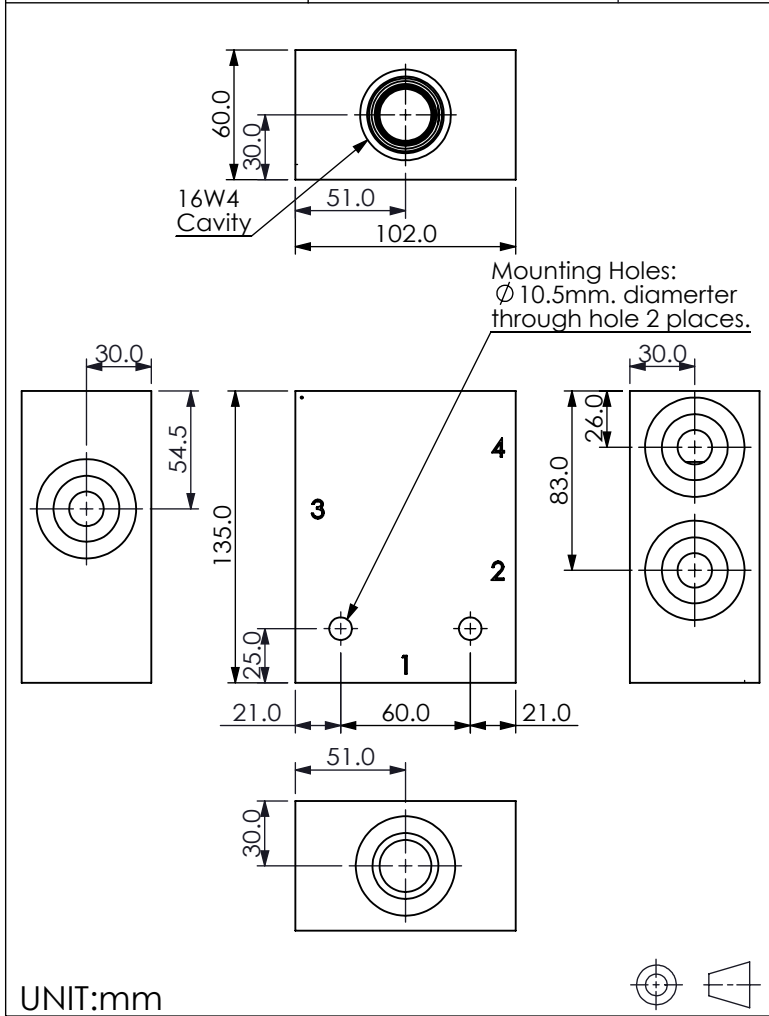


Ordering Code: **ML-16W4-X-Y 01-Z**



TECHNICAL DATA

Aluminum Body Pressure Rating: 210 bar
 Steel Body Pressure Rating: 350 bar

Cavity:
 Refer to 16W4
 * Refer to Winner Cartridge Valves Catalog.

Aluminum	1.78 kg(WITHOUT VALVES)
Steel	5.2 kg(WITHOUT VALVES)

* If you need the special specification. Please contact us.

--

X	PORT SIZE		
	PORTS	PORT	
	1,2,3	4	
G08	G 1"	G 1"	

Y	BODY MATERIAL	
A	HIGH-STRENGTH ALUMINUM	
T	STEEL (black oxide)	

Z	CARTRIDGE VALVES SELECTION	
	WITHOUT VALVE	