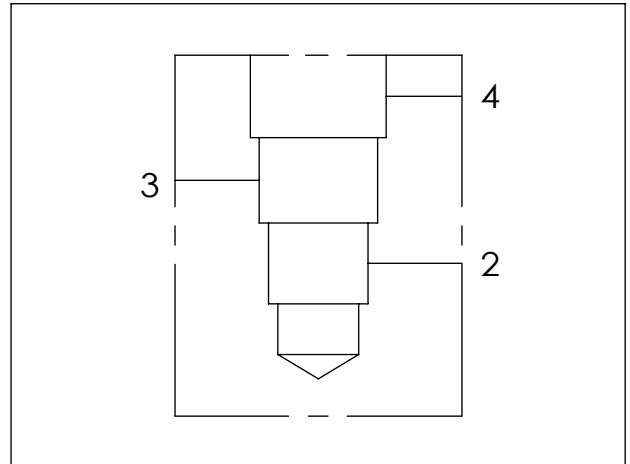
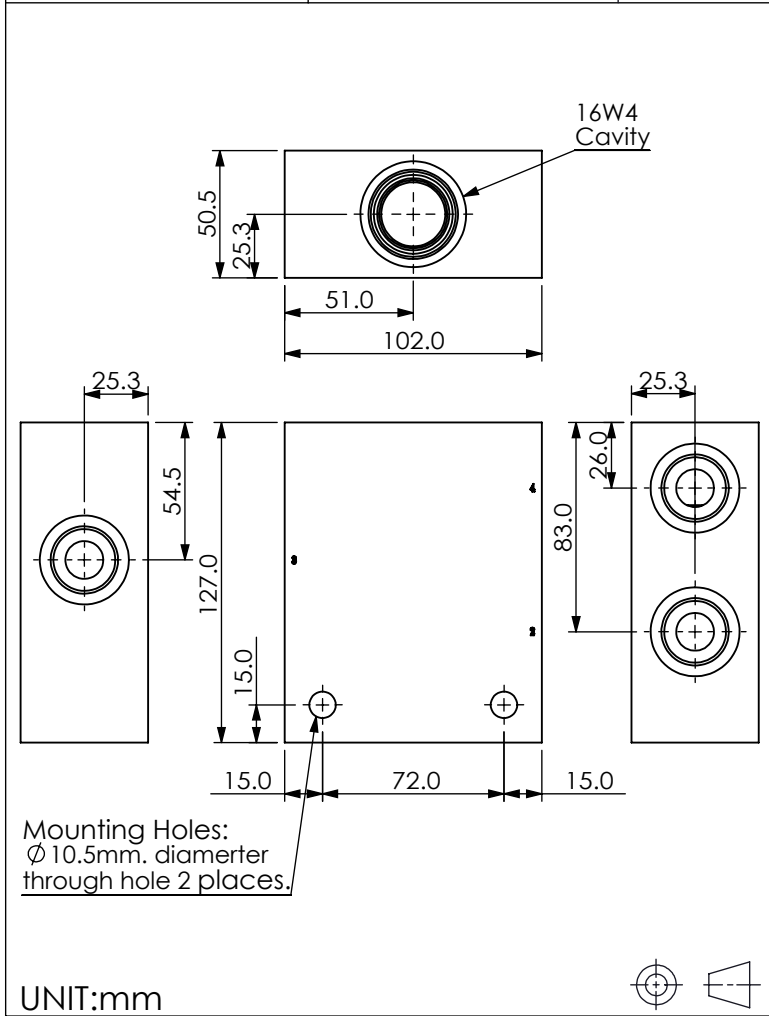


Ordering Code: **ML-16W4-X-Y 11-Z**



TECHNICAL DATA

Aluminum Body Pressure Rating: 210 bar
Steel Body Pressure Rating: 350 bar

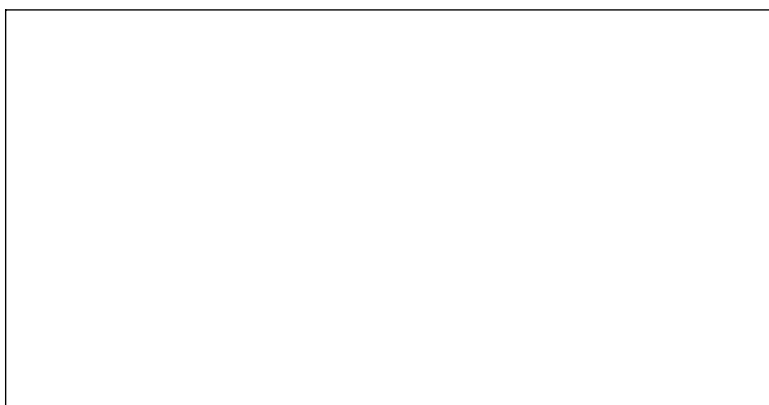
Cavity:

Refer to 16W4

* Refer to Winner Cartridge Valves Catalog.

Aluminum	1.42 kg(WITHOUT VALVES)
Steel	4.2 kg(WITHOUT VALVES)

* If you need the special specification.
Please contact us.



X	PORT SIZE		
	PORTS	PORT	
	2,3	4	
G06	G 3/4"	G 3/4"	
S12	SAE 12	SAE 12	

Y	BODY MATERIAL	
A	HIGH-STRENGTH ALUMINUM	
T	STEEL (black oxide)	

Z	CARTRIDGE VALVES SELECTION
	WITHOUT VALVE