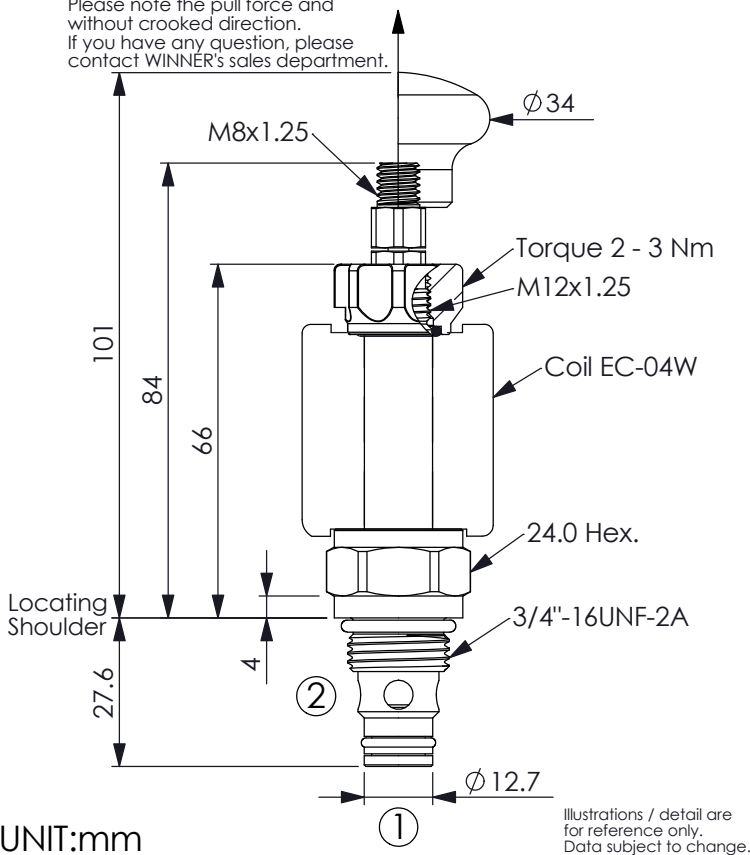


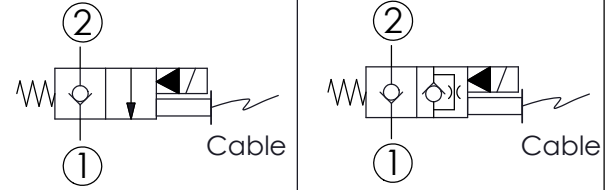
SOLENOID OPERATED VALVE (Pilot Operated) (Poppet 2-Way Normally-Closed Cartridge Style)

Ordering Code: **EP-08W-X-Y-Z-05**

Please note the pull force and without crooked direction. If you have any question, please contact WINNER's sales department.



IMPORTANT: Maximum Operating Pressure must never be exceeded, since this valve tends to open at pressures over 300 bar.



TECHNICAL DATA

Max. Operating pressure:	250	bar
Rated flow:	20	l/min
Cavity-Tooling:	08W-2	
Installation torque:	39 - 51	Nm
Weight:	0.134 (Z=L)	kg

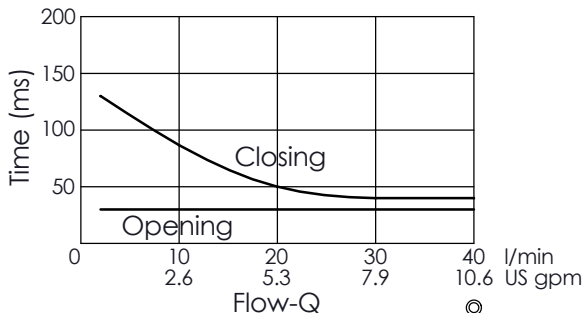
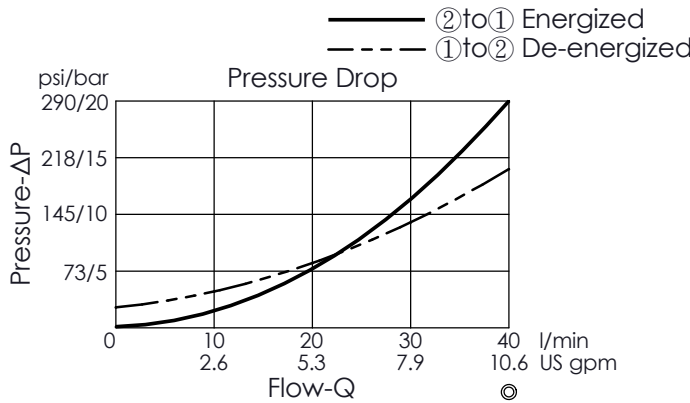
Internal Leakage Approximately:
0.15 cc/minute
(3 drops/minute) max. at 250 bar

Hydraulic Fluid Viscosity · Cleanliness · Temperature Level:
Please refer WINNER technical information.
(T.101.101.E HYDRAULIC FLUID (A) VISCOSITY)
(T.101.102.E HYDRAULIC FLUID (B) CLEANLINESS)
(T.101.103.E HYDRAULIC FLUID (C) TEMPERATURE)

Minimum Voltage Required:
90 % of nominal

Coils must be ordered separately

Mounting Position: unrestricted



The performance curve or data is only for reference, as customers' using condition, pressure, flow, hydraulic fluid viscosity, cleanliness, temperature and so on are different, the curve or data will be different.

Y OPERATION

01 Normally-Closed
No Reverse Flow Energized

This valve is similar to check valve when de-energized. Allow free flow from port ① to port ② and block flow from port ② to port ①. In energized condition, this valve is allowed flow from port ② to port ① but it's difficult to pass that flow from port ① to port ②. If you need bi-directional flow, please refer Y=05.

X	STRUCTURE	
2A	2 Ports · 20 Watt. Coil ∅ 12.7 mm tube	

Z	OPTIONS	
L	Pull Style (Cable Operated) (M8x1.25)	
H	Pull Style (Hand Operated) (Suitable for M8x1.25)	

· If there are requirements other than thread of Z=L or Z=H, please contact the Winner sales department.