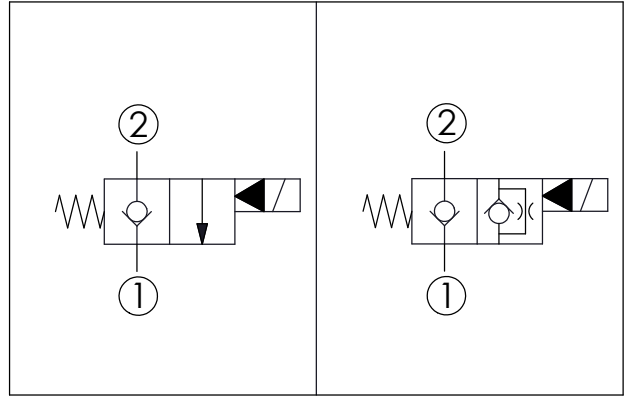
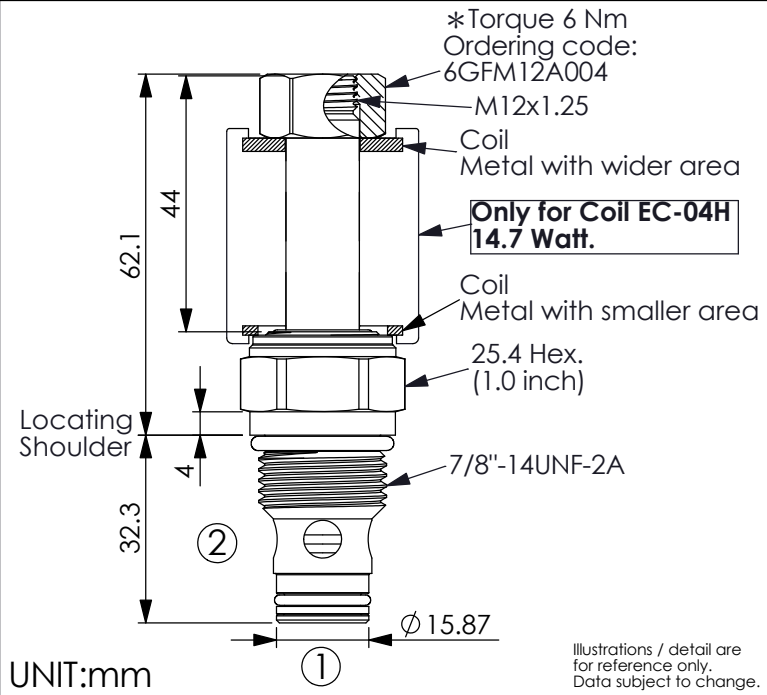


Ordering Code: **EP-10W-X-Y-Z-05-H**

Note:

1. The direction of coil has to be installed properly, otherwise the efficiency of magnetic force will be insufficient.
2. The metal washer of changing **EC04W** to **EC04H** is not needed to be installed. (Code No.: 6GX25A03001).



TECHNICAL DATA

Max.Operating pressure:	350	bar
Rated flow:	70	l/min
Cavity-Tooling:	10W-2	
Installation torque:	44 - 56	Nm
Weight:	0.166 (Z=N)	kg

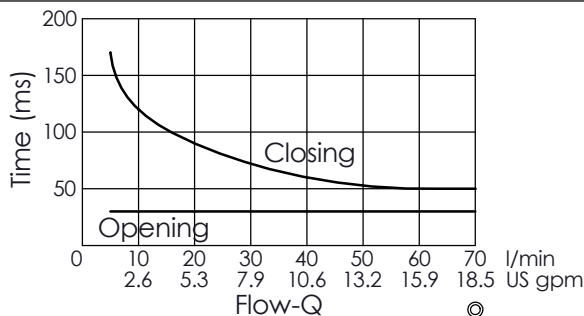
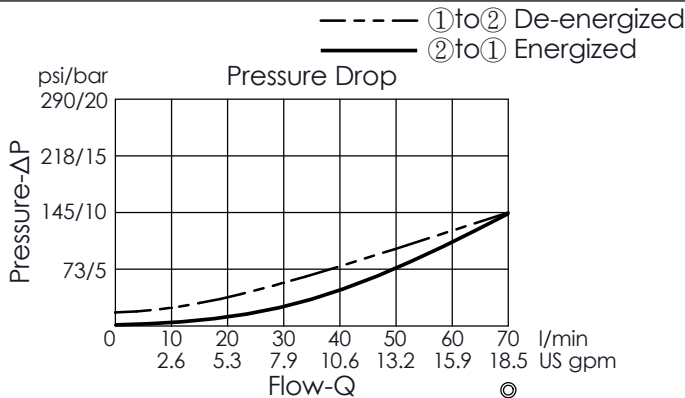
Internal Leakage Approximately:
0.15 cc/minute
(3 drops/minute) max. at 350 bar

Hydraulic Fluid Viscosity · Cleanliness · Temperature Level:
Please refer WINNER technical information.
(T.101.101.E HYDRAULIC FLUID (A) VISCOSITY)
(T.101.102.E HYDRAULIC FLUID (B) CLEANLINESS)
(T.101.103.E HYDRAULIC FLUID (C) TEMPERATURE)

Minimum Voltage Required:
90 % of nominal

Coils must be ordered separately

Mounting Position: unrestricted



The performance curve or data is only for reference, as customers' using condition, pressure, flow, hydraulic fluid viscosity, cleanliness, temperature and so on are different, the curve or data will be different.

Y	OPERATION
01	Normally-Closed No Reverse Flow Energized

This valve is similar to check valve when de-energized.
Allow free flow from port ① to port ② and block flow from port ② to port ①.
In energized condition, this valve is allowed flow from port ② to port ① but it's difficult to pass that flow from port ① to port ②.
If you need bi-directional flow, please refer Y=05.

X	STRUCTURE
2A	2 Ports, ∅ 12.7 mm, 44mm length tube

Z	OPTIONS
N	Non-adjustable