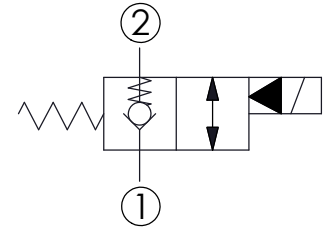
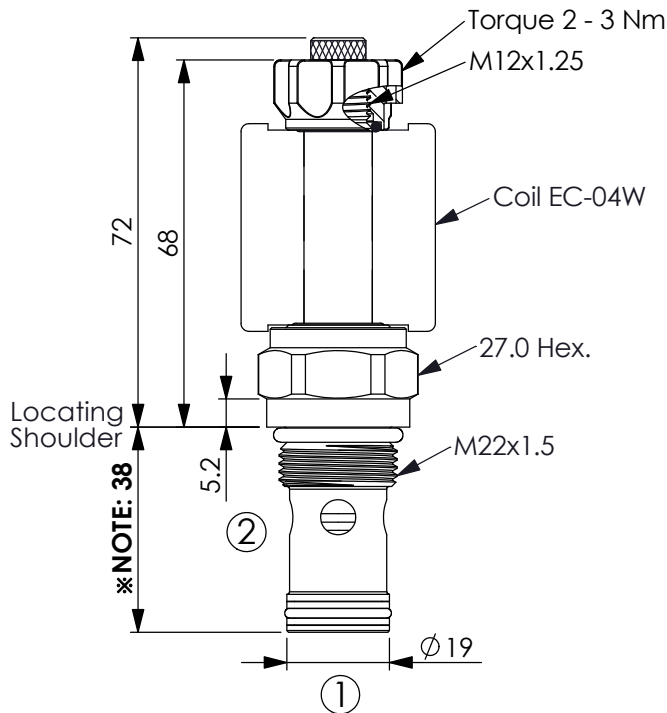


## SOLENOID OPERATED VALVE (Pilot Operated) (Poppet 2-Way Normally-Closed Cartridge Style With Extra Spring)

Ordering Code: **EP-22ML-X-Y-Z-85**

This design allows faster response times with very small flow or even virtually zero flow.



### TECHNICAL DATA

Max. Operating pressure:	350	bar
Rated flow:	70	l/min
Cavity-Tooling:	22ML-2	
Installation torque:	44 - 56	Nm
Weight:	0.167 (Z=N)	kg
Fluids-Temperatures:	-40 to 120	°C

Internal Leakage Approximately:  
0.15 cc/minute  
(3 drops/minute) max. at 350 bar

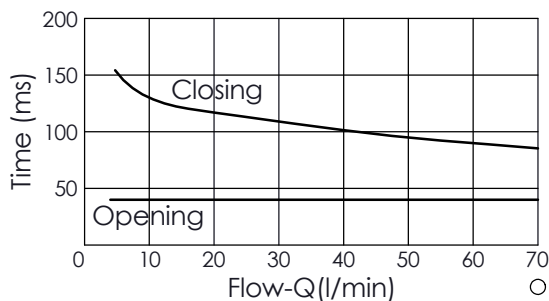
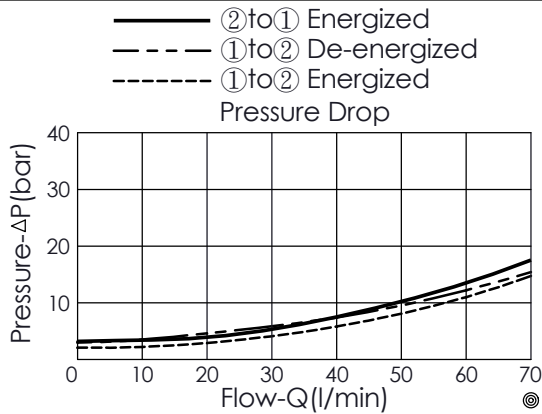
Hydraulic Fluid Cleanliness Level:  
Please refer WINNER technical information.  
( T.101.102.E HYDRAULIC FLUID (B)CLEANLISS )

Minimum Voltage Required:  
90 % of nominal

Coils must be ordered separately

Mounting Position: unrestricted

UNIT:mm



The performance curve or data is only for reference, as customers' using condition, pressure, flow, oil viscosity and so on are different, the curve or data will be different.

<b>X</b>	<b>STRUCTURE</b>	
<b>2A</b>	2 Ports · 20 Watt. Coil	
	∅ 12.7 mm tube	

<b>Z</b>	<b>OPTIONS</b>	
<b>N</b>	Non-adjustable	
<b>M</b>	Screw-out Knob Style	

<b>Y</b>	<b>OPERATION</b>	
<b>05</b>	Normally-Closed Reverse Flow Energized	