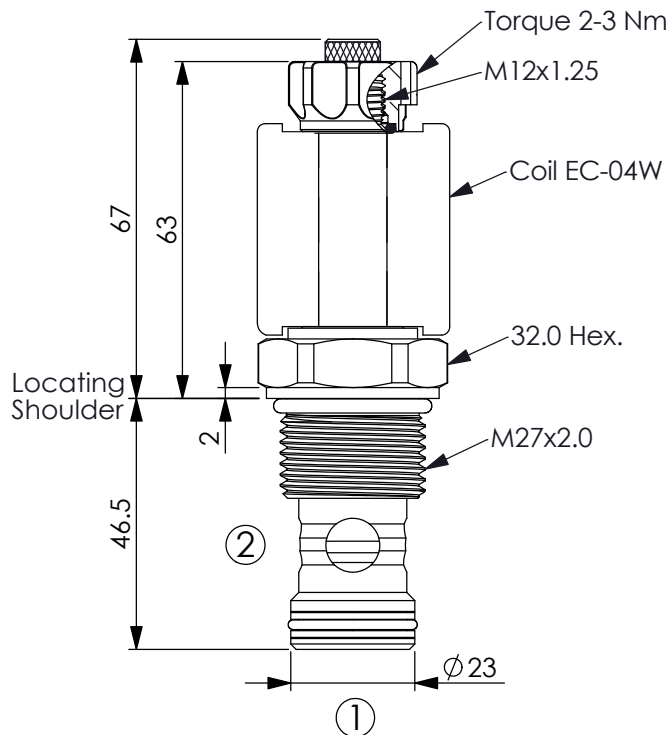
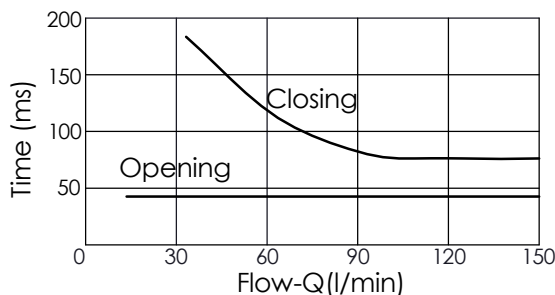
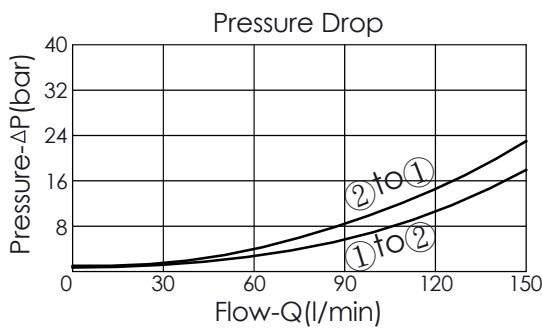


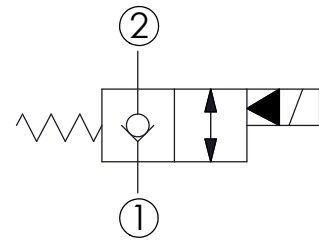
Ordering Code: **EP-27M-X-Y-Z-05**



UNIT:mm




Y	OPERATION
05	Normally-Closed Reverse Flow Energized



### TECHNICAL DATA

Max. Operating pressure:	350	bar
Rated flow:	150	l/min
Cavity-Tooling:	27M-2	
Installation torque:	54-66	Nm
Weight:	0.24 (Z=N)	kg
Fluids-Temperatures:	-40 to 120	°C
Internal Leakage Approximately:	0.15 cc/minute (3 drops/minute) max. at 350 bar	
Hydraulic Fluid Cleanliness Level:	Please refer WINNER technical information. ( T.101.102.E HYDRAULIC FLUID (B) CLEANLISS )	
Minimum Voltage Required:	90 % of nominal	
Coils must be ordered separately		
Mounting Position:	unrestricted	

X	STRUCTURE
2A	2 Ports - 20 Watt. Coil Ø 12.7 mm tube

Z	OPTIONS
N	Non-adjustable 
M	Screw-out Knob Style 