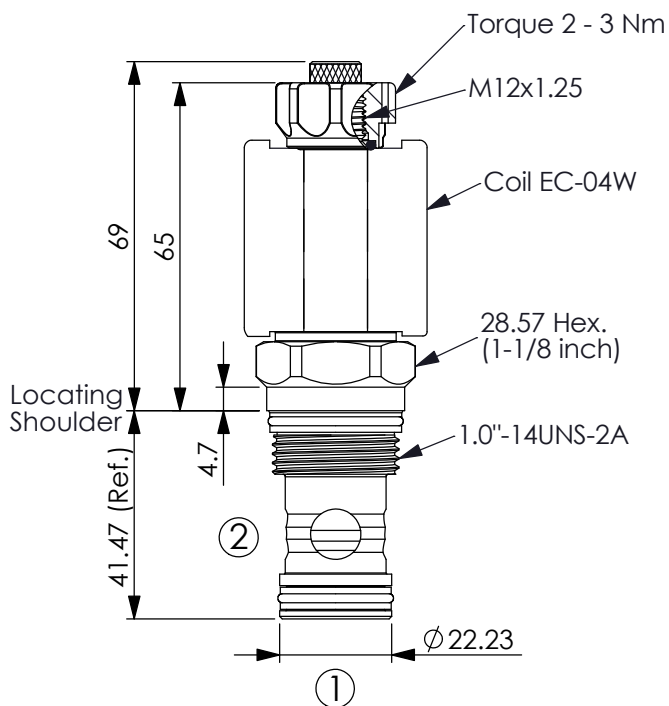
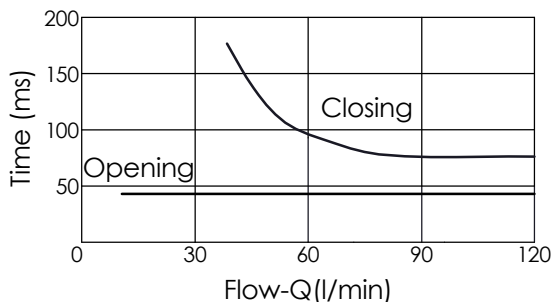
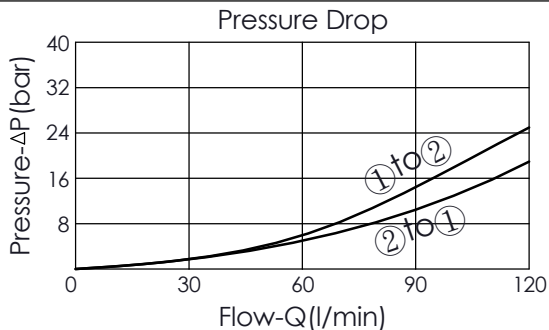


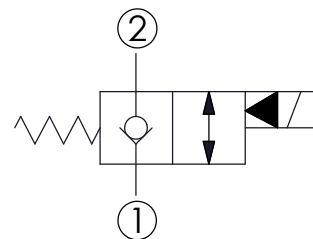
Ordering Code: **EP-5A-X-Y-Z-05**



UNIT:mm



The performance curve or data is only for reference, as customers' using condition, pressure, flow, hydraulic fluid viscosity, cleanliness, temperature and so on are different, the curve or data will be different.



TECHNICAL DATA

| | | |
|-------------------------|------------|-------|
| Max.Operating pressure: | 350 | bar |
| Rated flow: | 120 | l/min |
| Cavity-Tooling: | 5A-2 | |
| Installation torque: | 60 - 70 | Nm |
| Weight: | 0.21 (Z=N) | kg |

Internal Leakage Approximately:
0.15 cc/minute
(3 drops/minute) max. at 350 bar

Hydraulic Fluid Viscosity · Cleanliness · Temperature Level:
Please refer WINNER technical information.
(T.101.101.E HYDRAULIC FLUID (A) VISCOSITY)
(T.101.102.E HYDRAULIC FLUID (B) CLEANLINESS)
(T.101.103.E HYDRAULIC FLUID (C) TEMPERATURE)

Minimum Voltage Required:
90 % of nominal

Coils must be ordered separately

Mounting Position: unrestricted

| X | STRUCTURE | |
|----|---|--|
| 2A | 2 Ports · 20 Watt. Coil Ø 12.7 mm tube | |

| Z | OPTIONS | |
|---|----------------------|--|
| N | Non-adjustable | |
| M | Screw-out Knob Style | |

| Y | OPERATION | |
|----|---|--|
| 05 | Normally-Closed Reverse Flow Energized | |