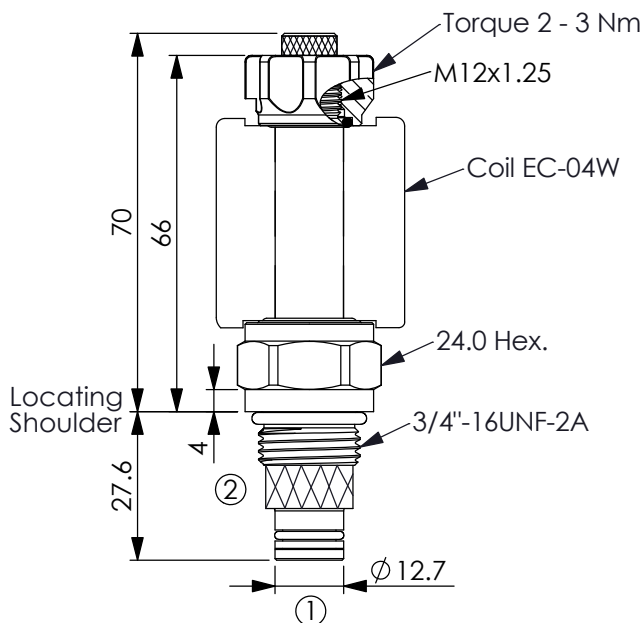


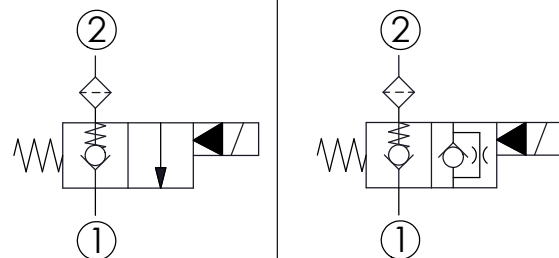
Ordering Code: **EP-08W-X-Y-Z-85**

This design allows faster response times with very small flow or even virtually zero flow.



UNIT:mm

Illustrations / detail are for reference only. Data subject to change.



TECHNICAL DATA

Max. Operating pressure:	350	bar
Rated flow:	40	l/min
Cavity-Tooling:	08W-2	
Installation torque:	39 - 51	Nm
Weight:	0.130 (Z=M)	kg

Internal Leakage Approximately:
0.15 cc/minute
(3 drops/minute) max. at 350 bar

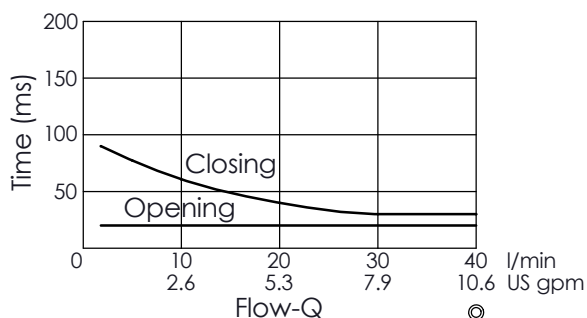
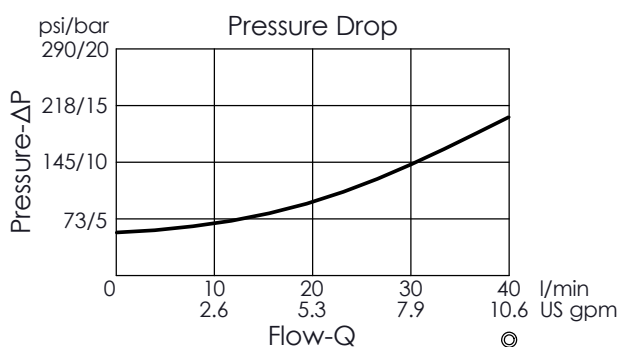
Hydraulic Fluid Viscosity · Cleanliness · Temperature Level:
Please refer WINNER technical information.
(T.101.101.E HYDRAULIC FLUID (A) VISCOSITY)
(T.101.102.E HYDRAULIC FLUID (B) CLEANLINESS)
(T.101.103.E HYDRAULIC FLUID (C) TEMPERATURE)

Filter: ϕ 0.3mm (50 mesh)
(If you need more finer mesh filter, please feel free to contact us.)

Minimum Voltage Required:
90 % of nominal

Coils must be ordered separately

Mounting Position: unrestricted



The performance curve or data is only for reference, as customers' using condition, pressure, flow, hydraulic fluid viscosity, cleanliness, temperature and so on are different, the curve or data will be different.

X	STRUCTURE	
2A	2 Ports · 20 Watt. Coil	
	ϕ 12.7 mm tube	

Y	OPERATION	
07	Normally-Closed With Filter	
	No Reverse Flow Energized	
<p>This valve is similar to check valve when de-energized. Allow free flow from port ① to port ② and block flow from port ② to port ①. In energized condition, this valve is allowed flow from port ② to port ① but it's difficult to pass that flow from port ① to port ②. If you need bi-directional flow, please refer Y=05. (please contact Winner's sales department)</p>		

Z	OPTIONS	
N	Non-adjustable	
M	Screw-out Knob Style	