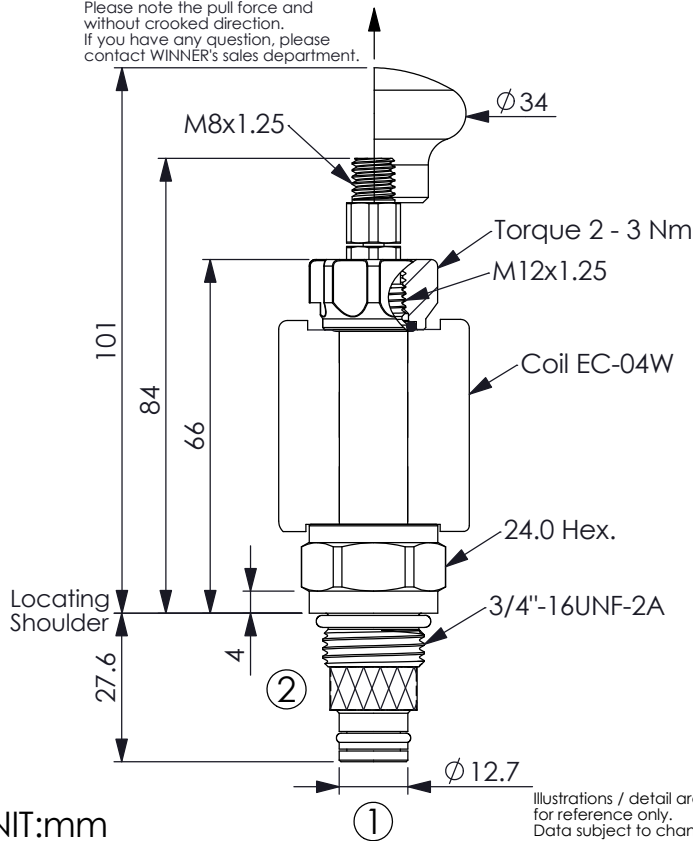


## SOLENOID OPERATED VALVE (Pilot Operated) (Poppet 2-Way Normally-Closed Cartridge Style With Filter)

Ordering Code: **EP-08W-X-Y-Z-05**

Please note the pull force and without crooked direction. If you have any question, please contact WINNER's sales department.

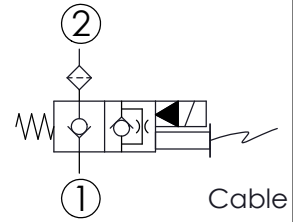
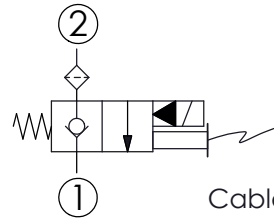


UNIT:mm

Illustrations / detail are for reference only. Data subject to change.

**IMPORTANT:**Maximum Operating Pressure must never be exceeded, since this valve tends to open at pressures over 300 bar.

※ If you need the type with extra spring (quickly closed), please select EP-08W-2A-07-L(H)-85



### TECHNICAL DATA

Max.Operating pressure:	250 bar
Rated flow:	20 l/min
Cavity-Tooling:	08W-2
Installation torque:	39 - 51 Nm
Weight:	0.135 (Z=L) kg

Internal Leakage Approximately:  
0.15 cc/minute  
(3 drops/minute) max. at 210 bar

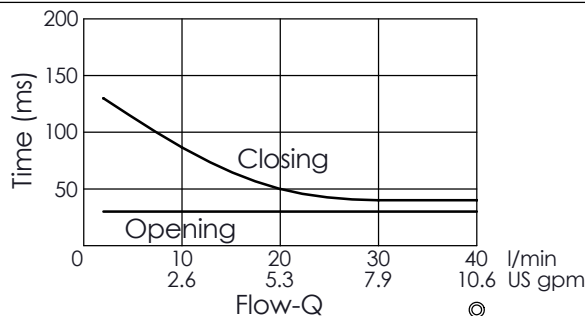
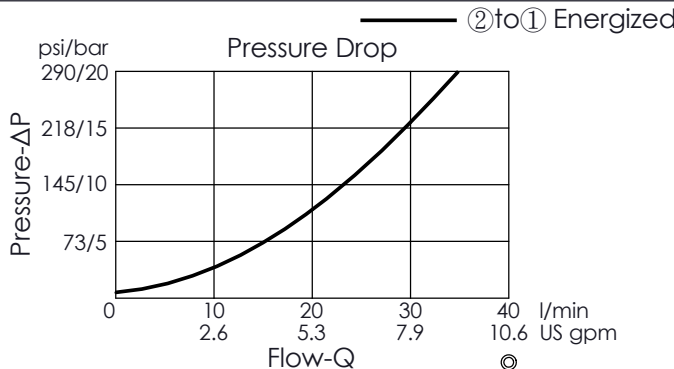
Hydraulic Fluid Viscosity · Cleanliness · Temperature Level:  
Please refer WINNER technical information.  
( T.101.101.E HYDRAULIC FLUID (A) VISCOSITY )  
( T.101.102.E HYDRAULIC FLUID (B) CLEANLINESS )  
( T.101.103.E HYDRAULIC FLUID (C) TEMPERATURE )

Filter Standard:  $\phi$ 0.3mm (50 mesh)  
(If you need more finer mesh filter, please feel free to contact us.)

Minimum Voltage Required:  
90 % of nominal

Coils must be ordered separately

Mounting Position: unrestricted



The performance curve or data is only for reference, as customers' using condition, pressure, flow, hydraulic fluid viscosity, cleanliness, temperature and so on are different, the curve or data will be different.

### Y OPERATION

**07** Normally-Closed With Filter  
No Reverse Flow Energized

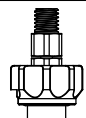
This valve is similar to check valve when de-energized. Allow free flow from port ① to port ② and block flow from port ② to port ①. In energized condition, this valve is allowed flow from port ② to port ① but it's difficult to pass that flow from port ① to port ②. If you need bi-directional flow, please refer Y=05. (please contact Winner's sales department)

### X STRUCTURE

**2A** 2 Ports · 20 Watt. Coil  
 $\phi$  12.7 mm tube

### Z OPTIONS

**L** Pull Style  
(Cable Operated)  
(M8x1.25)



**H** Pull Style  
(Hand Operated)  
(Suitable for M8x1.25)



· If there are requirements other than thread of Z=L or Z=H, please contact the Winner sales department.