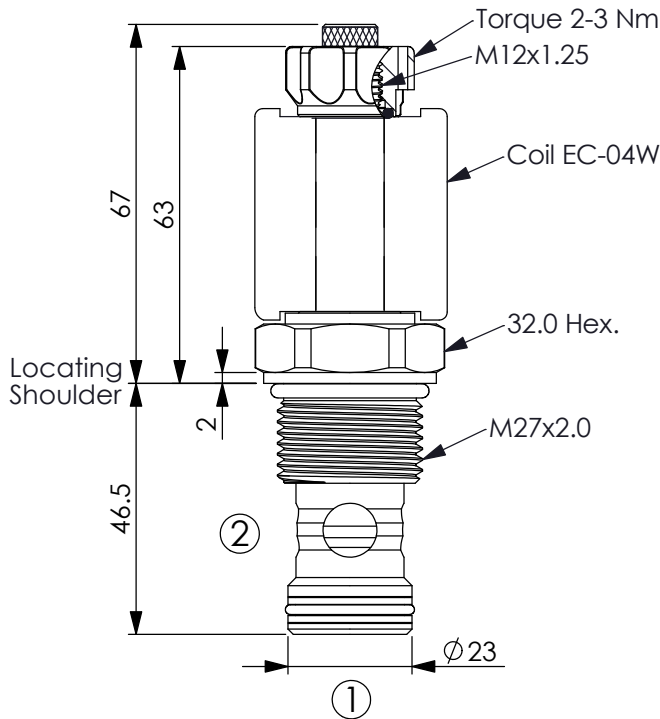
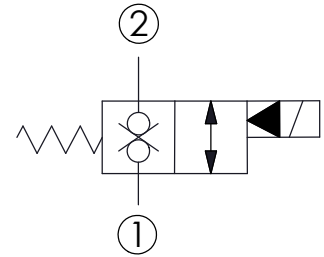


Ordering Code: **EP-27M-X-Y-Z-05**



UNIT:mm



TECHNICAL DATA

Max.Operating pressure:	350	bar
Rated flow:	150	l/min
Cavity-Tooling:	27M-2	
Installation torque:	54-66	Nm
Weight:	0.24 (Z=N)	kg
Fluids-Temperatures:	-40 to 120	°C

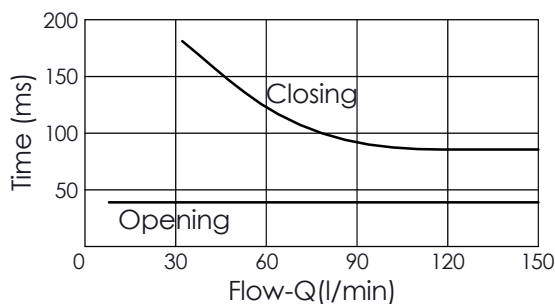
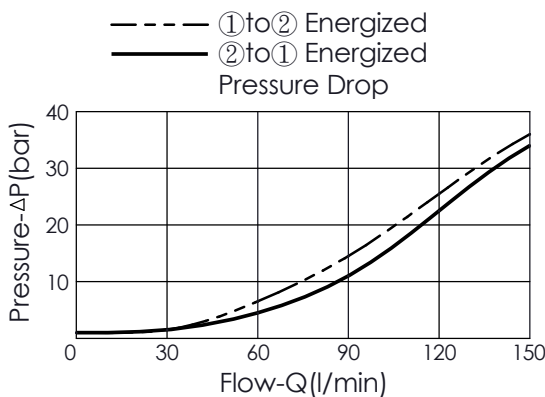
Internal Leakage Approximately:
0.15 cc/minute
(3 drops/minute) max. at 350 bar

Hydraulic Fluid Cleanliness Level:
Please refer WINNER technical information.
(T.101.102.E HYDRAULIC FLUID (B)CLEANLINESS)

Minimum Voltage Required:
90 % of nominal

Coils must be ordered separately


Mounting Position: unrestricted



The performance curve or data is only for reference, as customers' using condition, pressure, flow, oil viscosity and so on are different, the curve or data will be different.

Y	OPERATION
31	Normally-Closed Double Lock

X	STRUCTURE
2A	2 Ports - 20 Watt. Coil ∅ 12.7 mm tube

Z	OPTIONS
N	Non-adjustable 
M	Screw-out Knob Style 