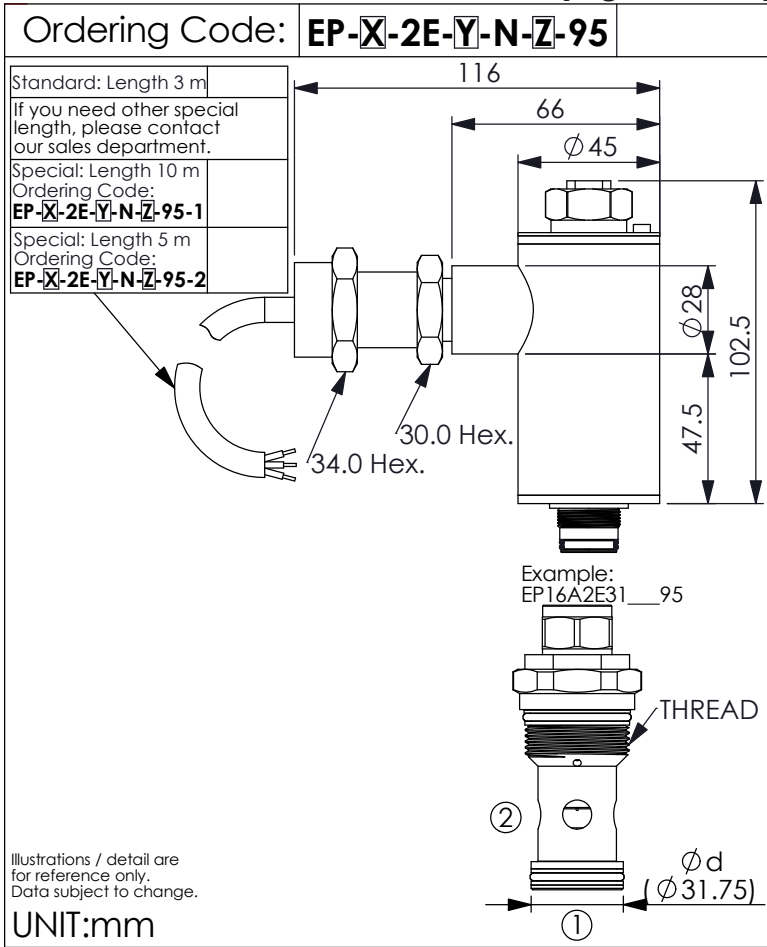


SOLENOID OPERATED VALVE (Pilot Operated)

(High Flow Poppet 2-Way With Explosion-Proof Solenoid)



TECHNICAL DATA	
EXPLOSION-PROOF PROTECTION:	
ATEX	
Ⓔ II 2G Ex db IIC T6, T5 Gb	
Ⓔ II 2D Ex tb IIIC T85°C, T100°C Db	
Ⓔ I M2 Ex db I Mb	
IECEx	
Ex db IIC T6, T5 Gb	
Ex tb IIIC T85°C, T100°C Db	
Ex db I Mb	
Protection IP 67	DIN 40050 Part 9
Ambient-Temperatures: -20 to 40 °C	
Working Duty ED 100% DIN VDE 0580	
Max.Operating Pressure: 350 bar	
IMPORTANT: Please contact our Sales Department for any information.	

X	OPTIONS		
	THREADS	ϕd	
16W	1-5/16"-12UN-2A	$\phi 28.60$	
20W	1-5/8"-12UN-2A	$\phi 36.52$	
21E	G 1"	$\phi 30.00$	
16A	M36x2.0	$\phi 31.75$	
18A	M48x2.0	$\phi 41.28$	
42M	M42x2.0	$\phi 38.00$	

Z	OPTIONS					
	Voltage (V)	Resistance (Ω)	Power (W)	Current (A)		ΔT °F(°C)
	Nominal	Ta=68 to 77°F (20 to 25°C)	Cold Coil	Cold Coil	Hot Coil	
D	24VDC	72±7%	7	0.33	0.23	140 (60)
E	12VDC	17.4±7%	7	0.67	0.53	170 (77)

Y	OPERATION	
	SYMBOL	DESCRIPTION
01		Please pay attention to the flow direction and arrow direction of the check valve on symbol. For example: when Y = 01, only allow the flow from port ② to port ① when energizing.
02		IMPORTANT: Please contact the sales dept. of Winner Hydraulics Corp. for more detailed technical information.
03		
04		
05		
06		
09		
10		
31		
32		