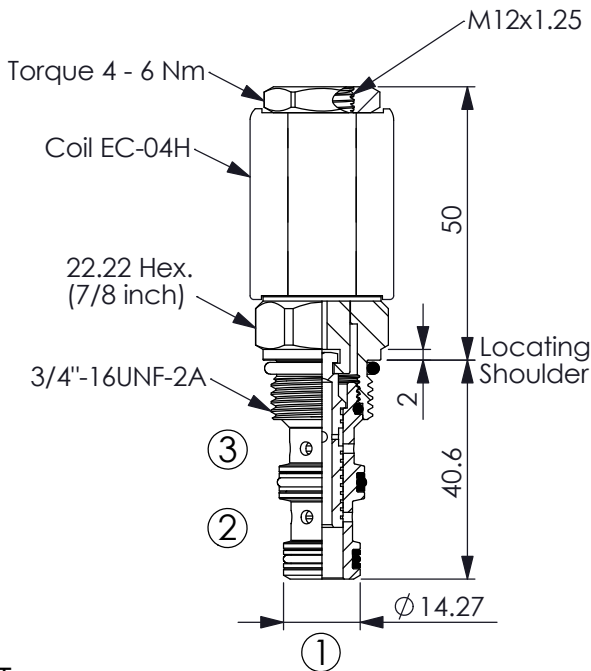


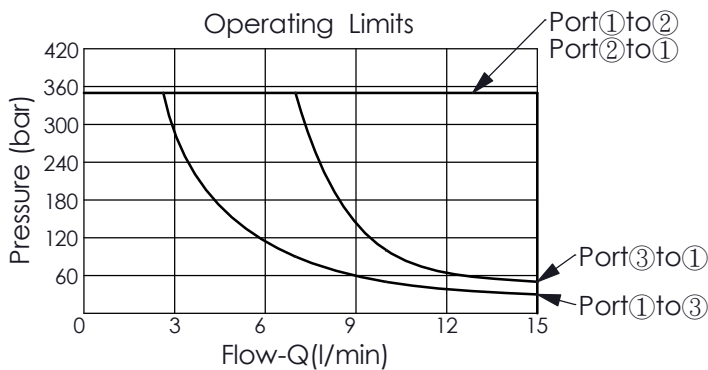
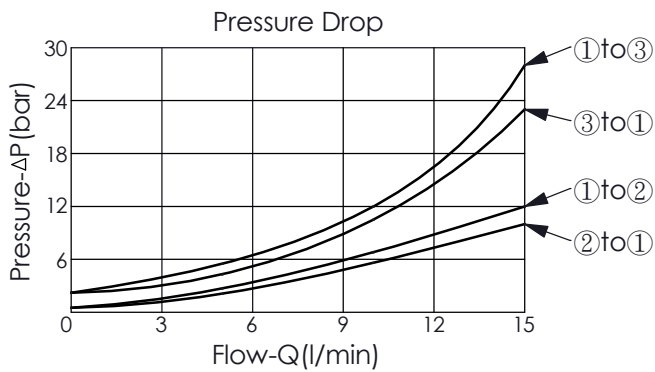
Ordering Code: **ES-08W-X-Y-Z-04**

Note: This valve is designed for space-limited application. It only use **EC-04H** coil. Please contact our Sales Department for any information.



UNIT:mm

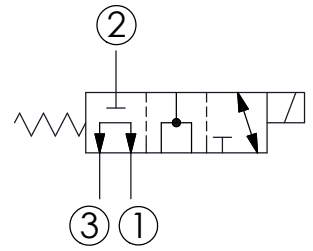
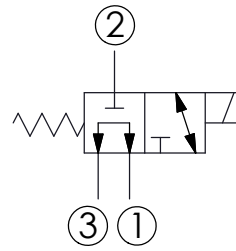
Performance Chart



The performance curve or data is only for reference, as customers' using condition, pressure, flow, hydraulic fluid viscosity, cleanliness, temperature and so on are different, the curve or data will be different.

Y	OPERATION
13	Spool 3-Way, 2 Position

TRANSITION:



TECHNICAL DATA

Max. Operating pressure: 350 bar
(Refer To Performance Chart)

Rated flow: 6 l/min
(Refer To Performance Chart)

Cavity-Tooling: 08W-3

Installation torque: 39 - 51 Nm

Weight: 0.11 kg

Response time depending on pressure and flow	ON	30 - 60 ms
	OFF	20 - 40 ms

Hydraulic Fluid Viscosity · Cleanliness · Temperature Level:
Please refer WINNER technical information.
(T.101.101.E HYDRAULIC FLUID (A) VISCOSITY)
(T.101.102.E HYDRAULIC FLUID (B) CLEANLINESS)
(T.101.103.E HYDRAULIC FLUID (C) TEMPERATURE)

Minimum Voltage Required:
90 % of nominal

Coils must be ordered separately

Mounting Position: unrestricted

X	STRUCTURE
3H	3 Ports · 14.7 Watt. Coil Ø 12.7 mm tube

Z	OPTIONS
N	Non-adjustable