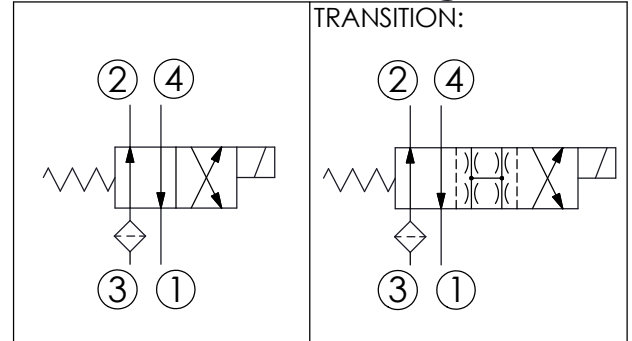
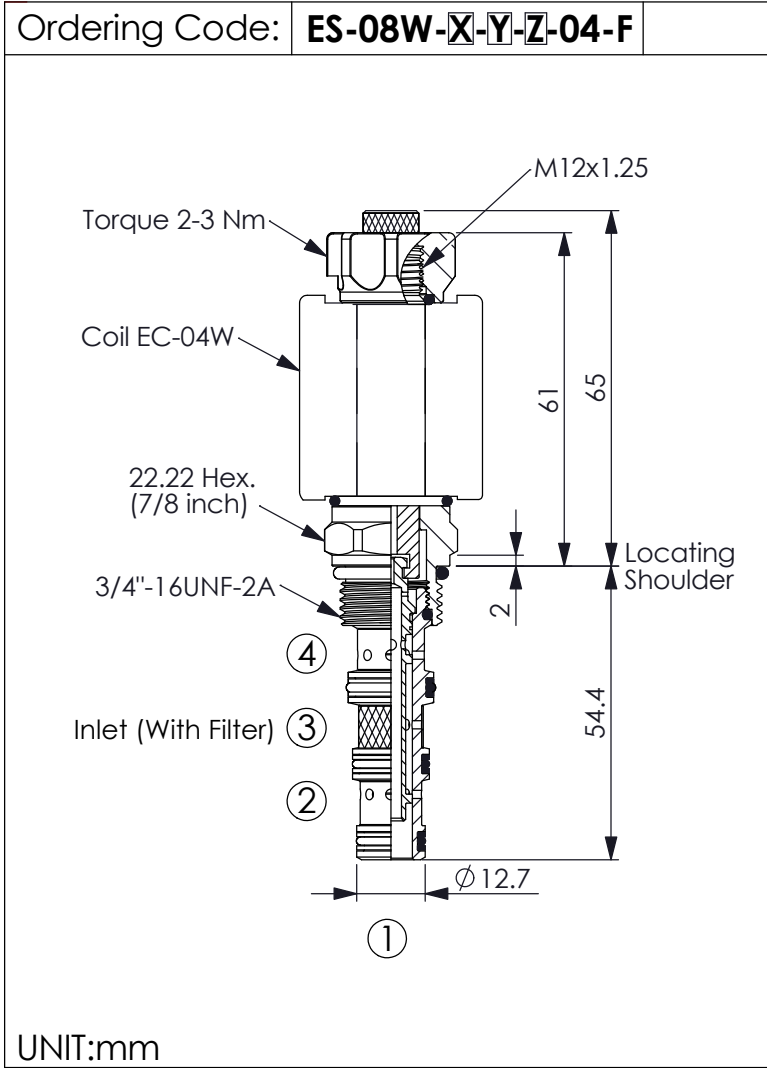
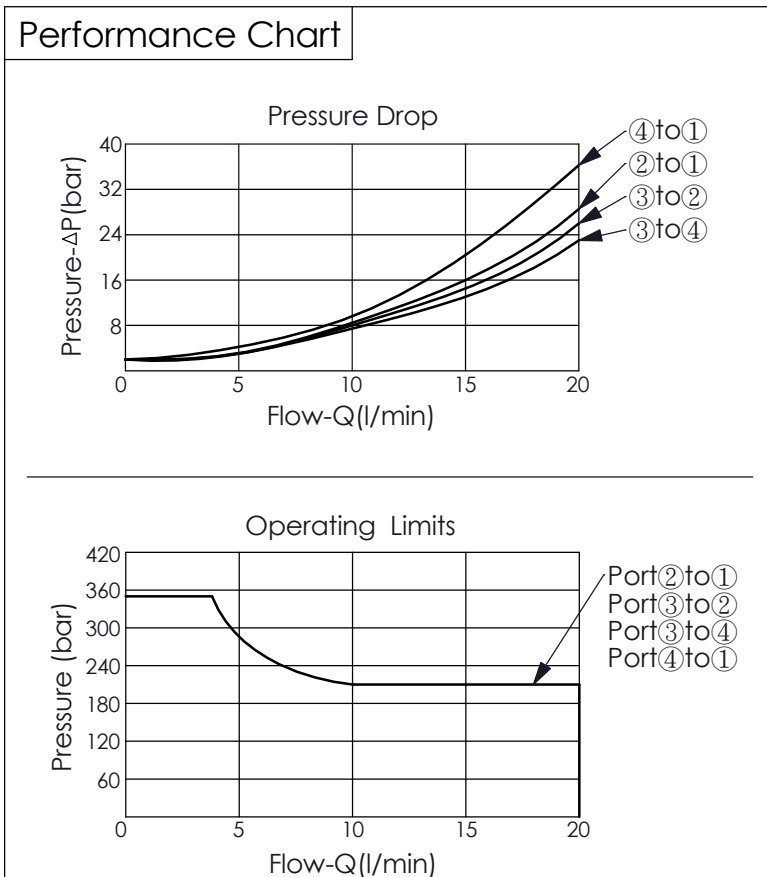


SOLENOID OPERATED VALVE (Direct-Acting) (Spool, 4-Way, 2-Position, Port ③ With Filter)



TECHNICAL DATA	
Rated pressure:	210 bar (Refer To Performance Chart)
Rated flow:	12 l/min (Refer To Performance Chart)
Cavity-Tooling:	08W-4
Installation torque:	39 - 51 Nm
Weight:	0.13 (Z=M) kg

Response time depending on pressure and flow	ON	30 - 60 ms
	OFF	20 - 40 ms



Minimum Voltage Required:	90 % of nominal
Coils must be ordered separately	
Mounting Position:	unrestricted

X	STRUCTURE
4A	4 Ports · 20 Watt. Coil ∅ 12.7 mm tube

Y	OPERATION
10	Spool 4-Way, 2-Position

Z	OPTIONS
N	Non-adjustable
M	Screw-out Knob Style

The performance curve or data is only for reference, as customers' using condition, pressure, flow, hydraulic fluid viscosity, cleanliness, temperature and so on are different, the curve or data will be different.
Rev.220902