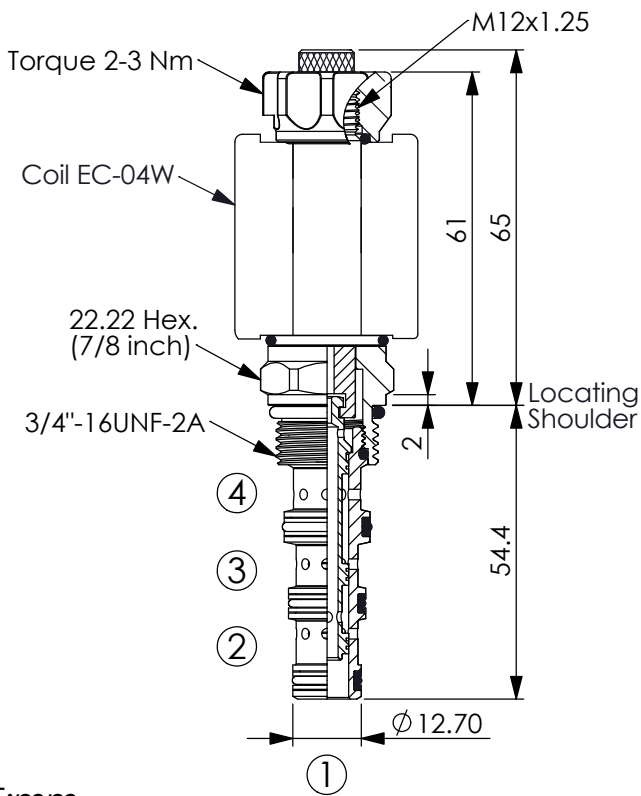
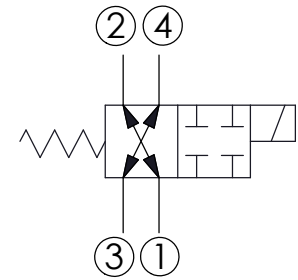


Ordering Code: **ES-08W-X-Y-Z-04**



UNIT:mm



TECHNICAL DATA

Max.Operating pressure: 350 bar
(Refer To Performance Chart)

Rated flow: 15 l/min
(Refer To Performance Chart)

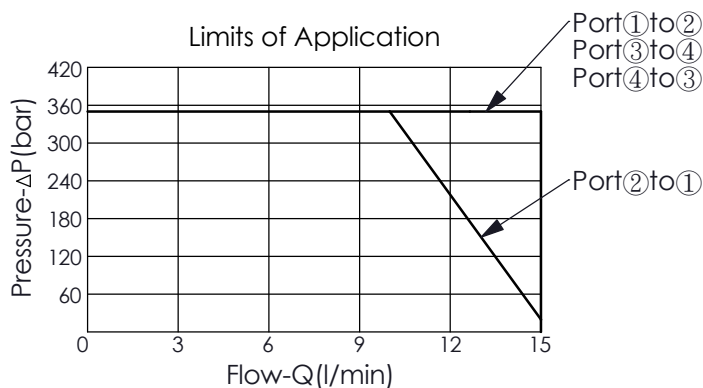
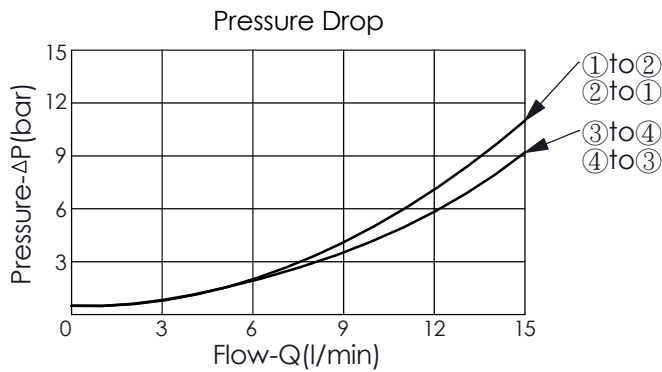
Cavity-Tooling: 08W-4

Installation torque: 39-51 Nm

Weight: 0.13 (Z=N) kg

Fluids-Temperatures: -40 to 120 °C

Performance Chart



Response time depending on pressure and flow	ON	30-60 ms
	OFF	20-40 ms

Hydraulic Fluid Cleanliness Level:
Please refer WINNER technical information.
(T.101.102.E HYDRAULIC FLUID (B)CLEANLINESS)

Minimum Voltage Required:
90 % of nominal

Coils must be ordered separately

Mounting Position: unrestricted

X	STRUCTURE	
4A	4 Ports - 20 Watt. Coil Ø 12.7 mm tube	

Z	OPTIONS	
N	Non-adjustable	
M	Screw-out Knob Style	

Y	OPERATION	
12	Spool 4-Way, 2-Position	