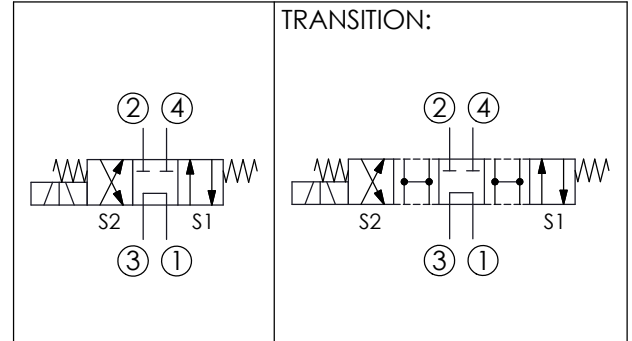
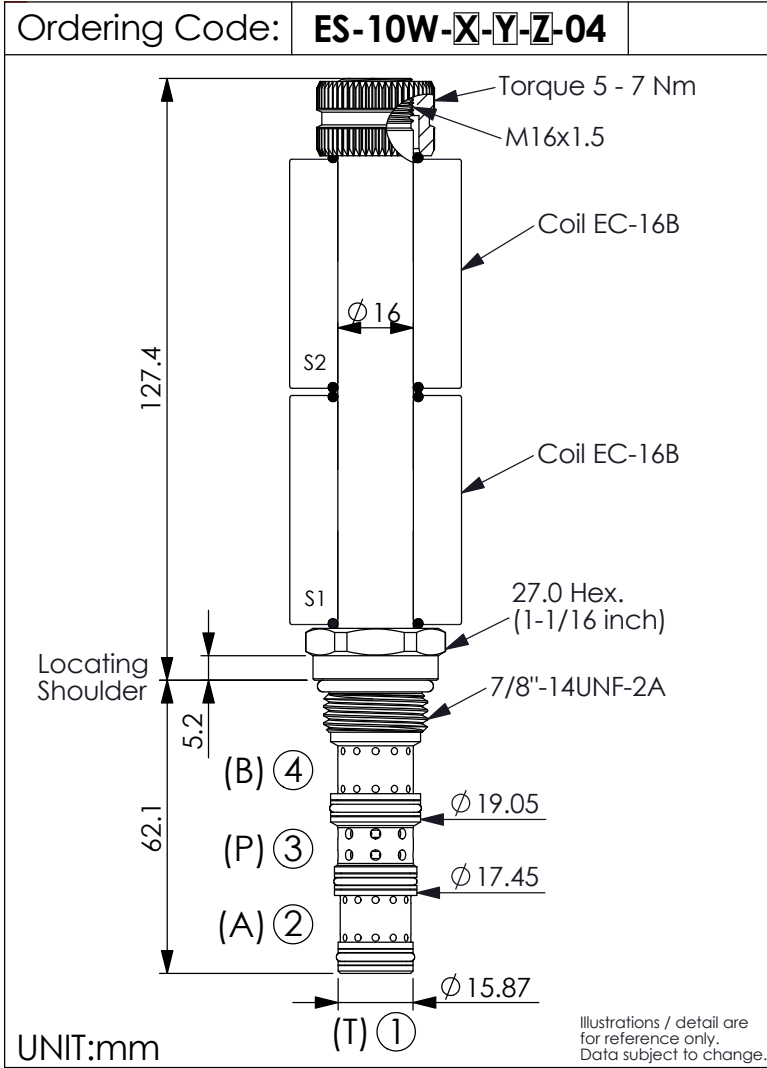
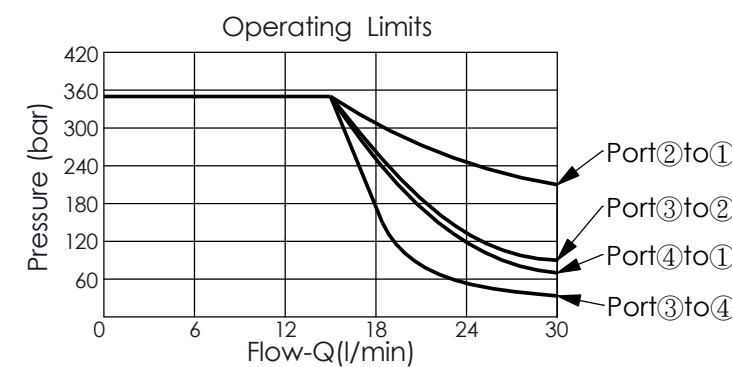
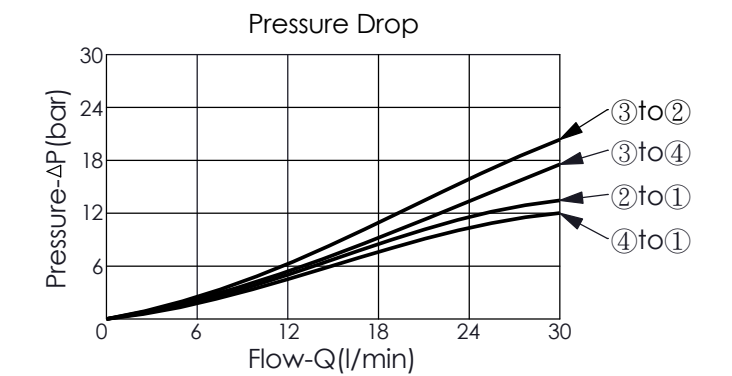


SOLENOID OPERATED VALVE (Direct-Acting) (Directional Spool Valve, 4-Way, 3-Position, Spring Centred)



TECHNICAL DATA		
Rated pressure:	350 bar	(Refer To Performance Chart)
Rated flow:	20 l/min	(Refer To Performance Chart)
Cavity-Tooling:	10W-4	
Installation torque:	25 - 35 Nm	
Weight:	0.291 (Z=N) kg	
Response time depending on pressure and flow	ON	30 - 60 ms
	OFF	20 - 40 ms
Hydraulic Fluid Viscosity · Cleanliness · Temperature Level: Please refer WINNER technical information. (T.101.101.E HYDRAULIC FLUID (A) VISCOSITY) (T.101.102.E HYDRAULIC FLUID (B) CLEANLINESS) (T.101.103.E HYDRAULIC FLUID (C) TEMPERATURE)		
Minimum Voltage Required: 90 % of nominal		
Coils must be ordered separately		
Mounting Position: unrestricted		



The performance curve or data is only for reference, as customers' using condition, pressure, flow, hydraulic fluid viscosity, cleanliness, temperature and so on are different, the curve or data will be different.

X	STRUCTURE	
4C	4 Ports · 26 Watt. Coil	∅ 16 mm tube
Y	OPERATION	
26	Spool 4-Ways,3-Positions, Tandem Centre	
Z	OPTIONS	
N	Non-adjustable	
P	Push Style Manual Override	