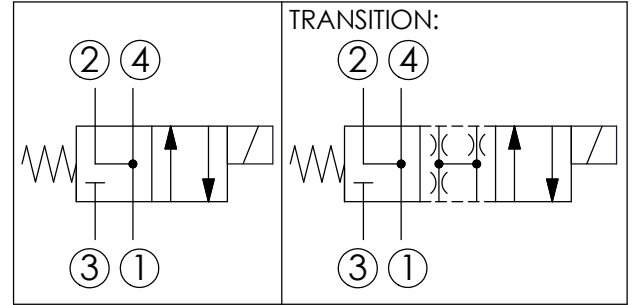
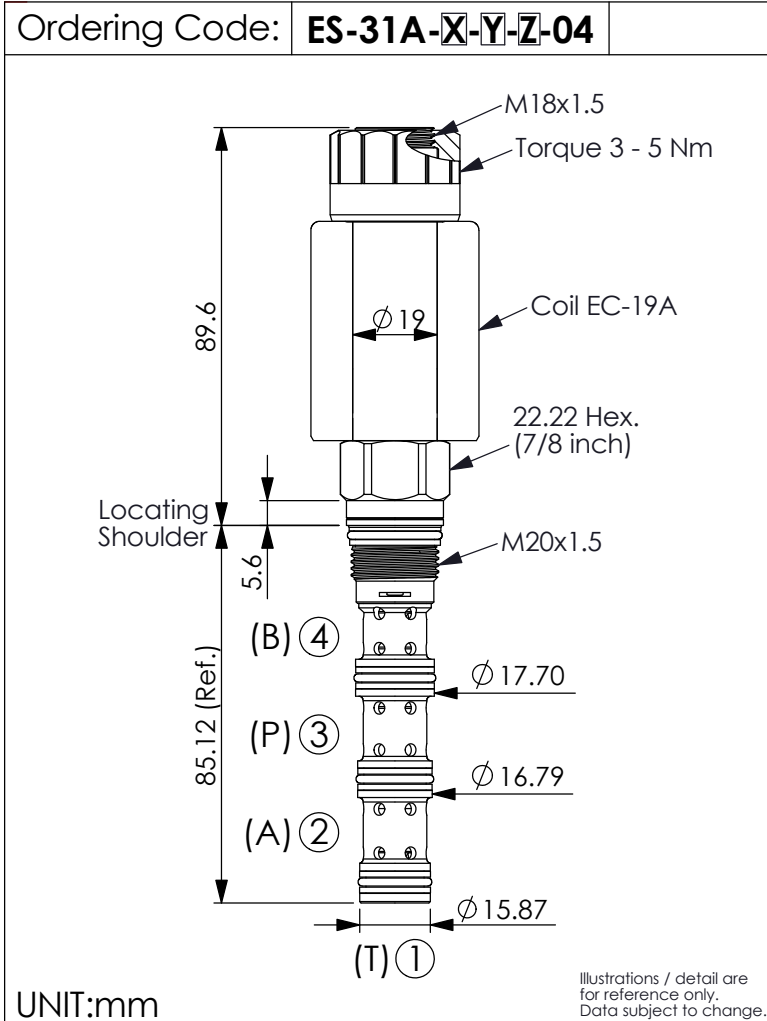


SOLENOID OPERATED VALVE (Direct-Acting) (Spool, 4-Way, 2-Position)



TECHNICAL DATA		
Max.Operating pressure:	350 bar	(Refer To Performance Chart)
Rated flow:	40 l/min	(Refer To Performance Chart)
Cavity-Tooling:	31A-4	
Installation torque:	40 - 50 Nm	
Weight:	0.297 (Z=N) kg	
Response time depending on pressure and flow	ON	30 - 60 ms
	OFF	20 - 40 ms

Hydraulic Fluid Viscosity · Cleanliness · Temperature Level:
Please refer WINNER technical information.
(T.101.101.E HYDRAULIC FLUID (A) VISCOSITY)
(T.101.102.E HYDRAULIC FLUID (B) CLEANLINESS)
(T.101.103.E HYDRAULIC FLUID (C) TEMPERATURE)

Minimum Voltage Required:
90 % of nominal

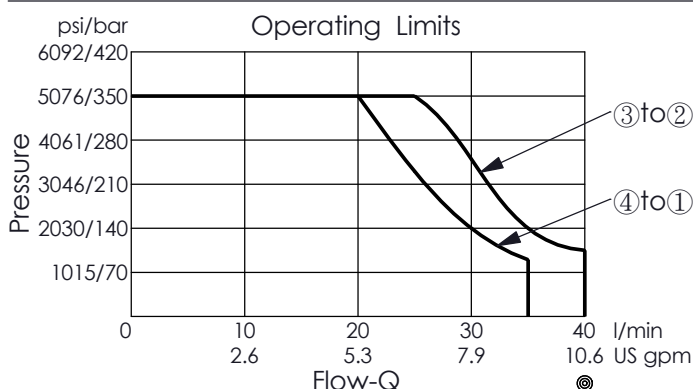
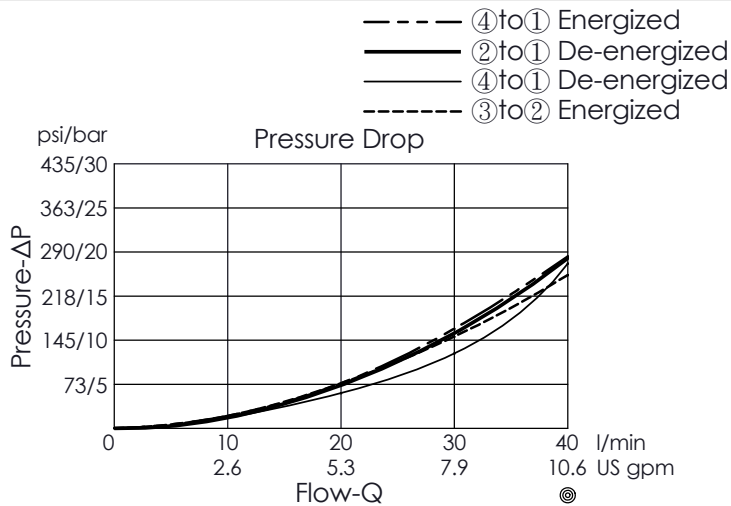
Coils must be ordered separately

Mounting Position: unrestricted

X	STRUCTURE
4D	4 Ports · 22 Watt. Coil Ø 19 mm tube

Y	OPERATION
34A	Spool, 4-Way, 2-Position, Motor, Transition 4 ports connected, Manual operation, ③ to ② and ④ to ①

Z	OPTIONS
N	Non-adjustable
P	Push Style Manual Override



The performance curve or data is only for reference, as customers' using condition, pressure, flow, hydraulic fluid viscosity, cleanliness, temperature and so on are different, the curve or data will be different.