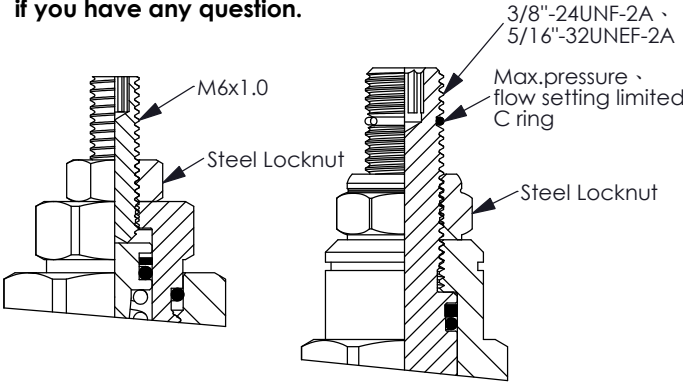
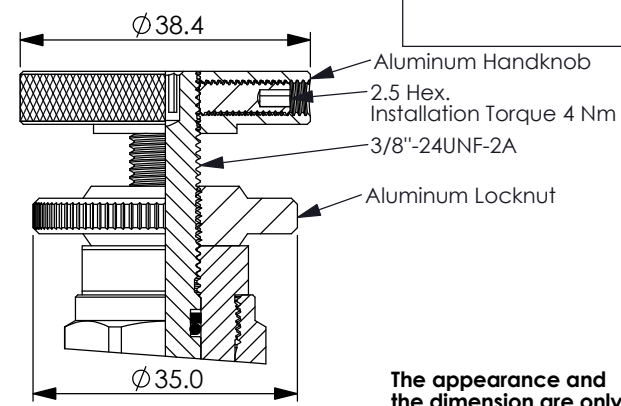
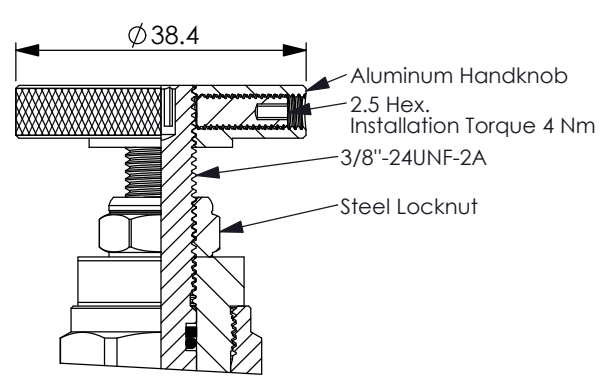
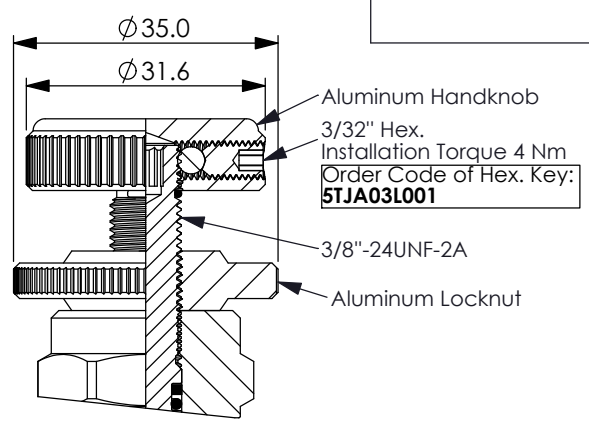
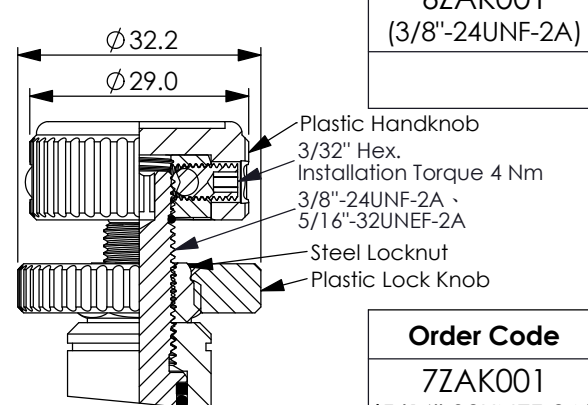
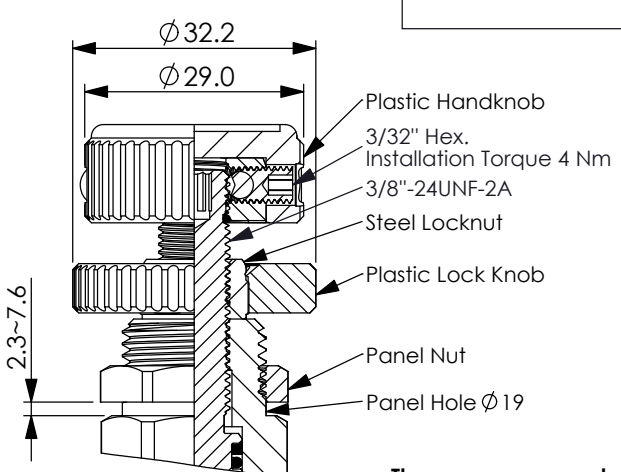


## CARTRIDGE CONTROL OPTIONS

<p><b>L</b> Leakproof Hex.Socket Screw</p>	<p><b>B</b> Handknob and Aluminum Locknut</p>
<p>*The screw dimension will be different when using L option with different valve. Please contact our sales department if you have any question.</p>  <p>3/8"-24UNF-2A、5/16"-32UNEF-2A Max.pressure、flow setting limited C ring Steel Locknut</p> <p>The appearance and the dimension are only for reference.</p> <p>UNIT:mm</p>	<p>Weight: 0.034 kg</p> <p>Order Code 6ZAB003</p>  <p>Aluminum Handknob 2.5 Hex. Installation Torque 4 Nm 3/8"-24UNF-2A Aluminum Locknut</p> <p>The appearance and the dimension are only for reference.</p> <p>UNIT:mm</p>
<p><b>E</b> Aluminum Handknob and Locknut</p>	<p><b>BA</b> Handknob and Aluminum Locknut</p>
<p>Weight: 0.022 kg</p> <p>Order Code 6ZAE003</p>  <p>Aluminum Handknob 2.5 Hex. Installation Torque 4 Nm 3/8"-24UNF-2A Steel Locknut</p> <p>The appearance and the dimension are only for reference.</p> <p>UNIT:mm</p>	<p>Weight: 0.032 kg</p> <p>Order Code 6ZAB004</p>  <p>Aluminum Handknob 3/32" Hex. Installation Torque 4 Nm Order Code of Hex. Key: 5TJA03L001 3/8"-24UNF-2A Aluminum Locknut</p> <p>The appearance and the dimension are only for reference.</p> <p>UNIT:mm</p>
<p><b>K</b> Plastic Handknob with Lock Knob</p>	<p><b>KF</b> Handknob with Panel Mount</p>
<p>Weight: 0.019 kg</p> <p>Order Code 6ZAK001 (3/8"-24UNF-2A)</p>  <p>Plastic Handknob 3/32" Hex. Installation Torque 4 Nm 3/8"-24UNF-2A、5/16"-32UNEF-2A Steel Locknut Plastic Lock Knob</p> <p>Order Code 7ZAK001 (5/16"-32UNEF-2A)</p> <p>The appearance and the dimension are only for reference.</p> <p>UNIT:mm</p>	 <p>Plastic Handknob 3/32" Hex. Installation Torque 4 Nm 3/8"-24UNF-2A Steel Locknut Plastic Lock Knob Panel Nut Panel Hole <math>\phi</math>19</p> <p>The appearance and the dimension are only for reference.</p> <p>UNIT:mm</p>