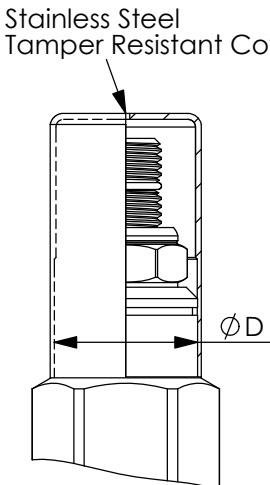
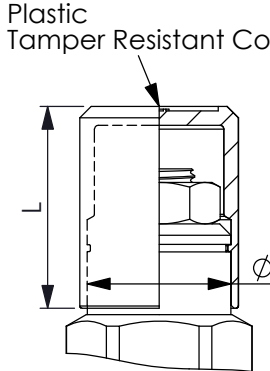
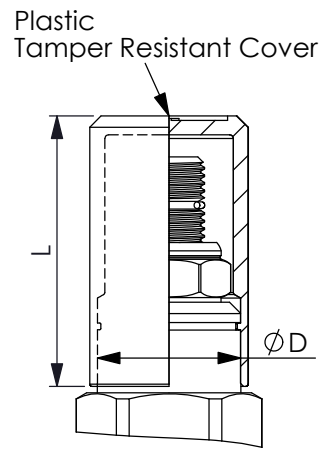


C	Stainless Steel Tamper Resistant Cover						
 <p>Stainless Steel Tamper Resistant Cover</p> <p>The appearance and the dimension are only for reference. UNIT:mm</p>	$\phi D$	Order Code					
	$\phi 16.6$	6GH08C039					
	Weight: 0.010 kg						
	$\phi 19$	6GH08C032					
	Weight: 0.012 kg						
	$\phi 25$	6GH08C036					
	Weight: 0.016 kg						
	$\phi 30$	6GH08C037					
Weight: 0.021 kg							
$\phi 40$	6GH08C038						
Weight: 0.034 kg							
CA	Plastic Tamper Resistant Cover			CB	Plastic Tamper Resistant Cover		
 <p>Plastic Tamper Resistant Cover</p> <p>Apply: 1.CB,MB (<math>\phi 19</math> mm) 2.CB,MA,MB,MW (<math>\phi 25</math> mm)</p> <p>(Please confirm the specification clearly before ordering, please feel free to contact us.) UNIT:mm</p> <p>The appearance and the dimension are only for reference.</p>	$\phi D$	L	Order Code				
	$\phi 19$	26.7	5JAA094				
	Weight: 0.004 kg						
	$\phi 25$	26.7	5JAA099				
Weight: 0.005 kg							
UNIT:mm				UNIT:mm			
Rev.221220				J.990.103.E			



**Apply:**  
CA,CW,DD,FR,LO,NC,NV,PB,**PD**,PP,PV,  
PW,**QP**,RP,**RD**,RB,RQ,RC,RV,SC,SD,SP,**SQ**  
( $\phi 19$  mm)( $\phi 25$  mm)

**\*Not apply for:**  
**PD08W32, QP10W, RD08W20, RD08W22, RD08W23, RD08W23---A, RD08W24, RD08W2A, RD08W2S, RD10W20, RD10W2A, RD10W2S, SQ08W...etc.**

(Please confirm the specification clearly before ordering, please feel free to contact us.)

The appearance and the dimension are only for reference.