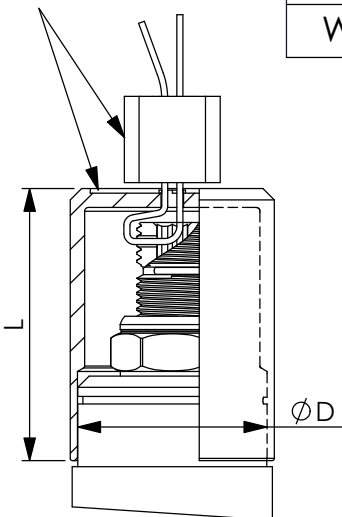
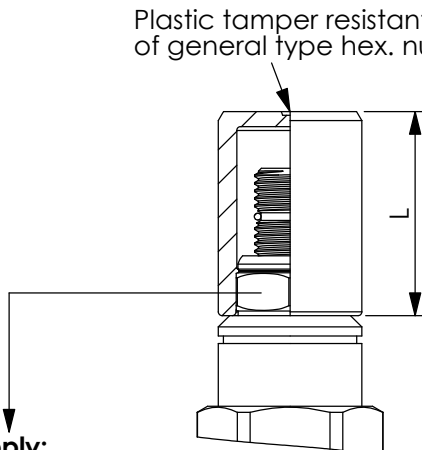
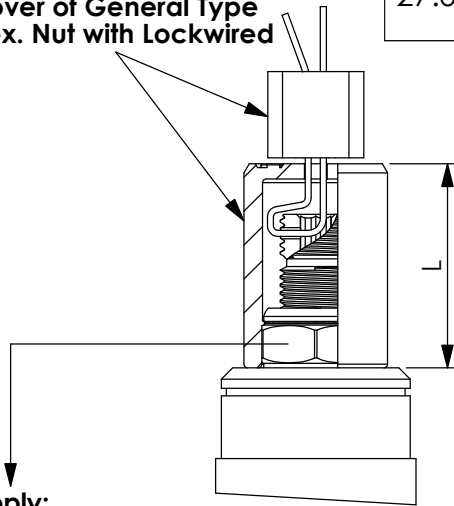


<b>CD</b>	<b>Plastic Tamper Resistant Cover with Lockwired (CB Option with Lockwired)</b>			
 <p>Plastic Tamper Resistant Cover with Lockwired</p>	$\phi$ D	L	<b>Order Code</b>	
	$\phi$ 25	36.0	6JAA014	
	Weight: 0.007 kg			
<p>(Please confirm the specification clearly before ordering, please feel free to contact us.)</p> <p>UNIT:mm <span style="float:right">The appearance and the dimension are only for reference.</span></p>				
<b>CH</b>	<b>Plastic Tamper Resistant Cover of General Type Hex. Nut</b>	<b>CG</b> <b>Plastic Tamper Resistant Cover of General Type Hex. Nut with Lockwired (CH Option with Lockwired)</b>		
Weight: 0.005 kg	L	<b>Order Code</b>	Weight: 0.005 kg	
	27.0	5JAA097	<b>Plastic Tamper Resistant Cover of General Type Hex. Nut with Lockwired</b>	
 <p>Plastic tamper resistant cover of general type hex. nut</p> <p><b>Apply:</b>            1: 6GFU12A005            General fixed nut 3/8"-24UNF [hex. 14.27 (9/16")]            2: 6GFU12A011            Stainless steel general fixed nut 3/8"-24UNF [hex. 14.27 (9/16")]</p> <p>(Please confirm the specification clearly before ordering, please feel free to contact us.)</p> <p>UNIT:mm <span style="float:right">The appearance and the dimension are only for reference.</span></p>		 <p><b>Apply:</b>            1: 6GFU12A005            General fixed nut 3/8"-24UNF [hex. 14.27 (9/16")]            2: 6GFU12A011            Stainless steel general fixed nut 3/8"-24UNF [hex. 14.27 (9/16")]</p> <p>(Please confirm the specification clearly before ordering, please feel free to contact us.)</p> <p>UNIT:mm <span style="float:right">The appearance and the dimension are only for reference.</span></p>	L	
	27.0		<b>Order Code</b>	6JAA015