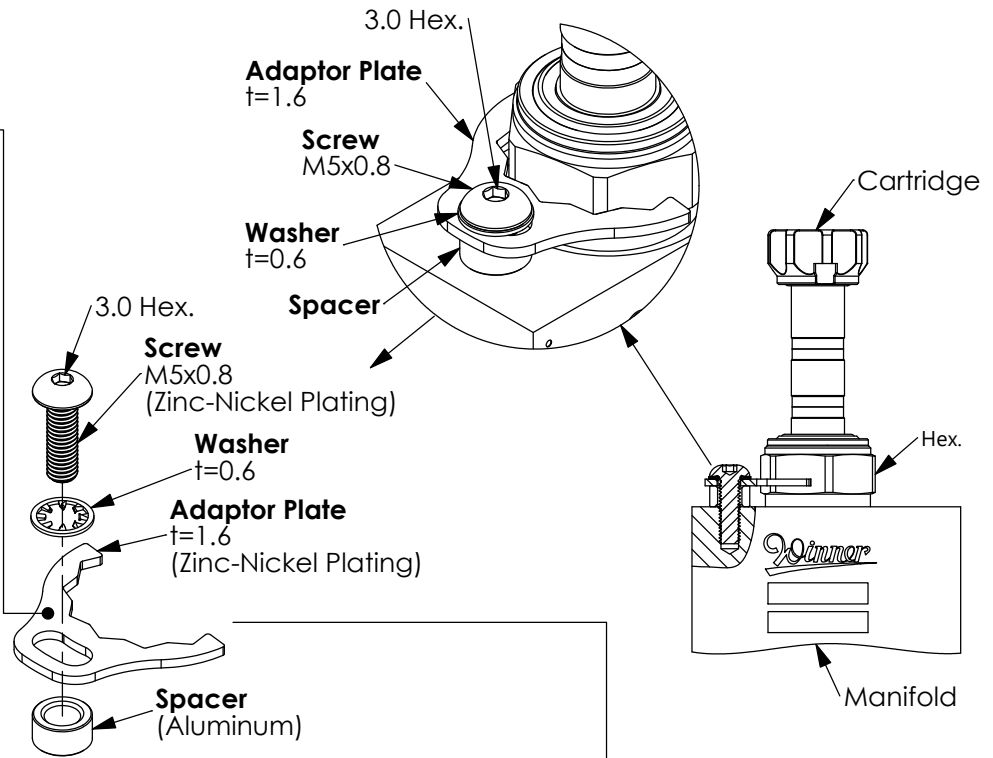


### Cartridge Retainer Kit (Ordered by Value Package)

Adaptor Plate	
Hex.	Order Code
22.22	6ZE2222A001
R	
19.0	
Hex.	Order Code
24.0	6ZE2400A001
R	
19.0	
Hex.	Order Code
25.4	6ZE2540A001
R	
21.2	
Hex.	Order Code
32.0	6ZE3200A001
R	
24.64	
Hex.	Order Code
38.0	6ZE3800A001
R	
28.27	



\*For the ordering code number of individual parts, please refer to datasheet:  
**J.990.122.E Cartridge Retainer Kit (Ordered by Individual Part)**

Hex. 22.22 L1 2.2 L2 6.0 Weight: 0.005 kg	Hex. 22.22 L1 5.2 L2 10.0 Weight: 0.006 kg	Hex. 22.22 L1 7.2 L2 16.0 Weight: 0.007 kg	Hex. 22.22 L1 14.1 L2 20.0 Weight: 0.008 kg
Hex. 24.0 L1 2.2 L2 6.0 Weight: 0.006 kg	Hex. 24.0 L1 5.2 L2 10.0 Weight: 0.007 kg	Hex. 24.0 L1 7.2 L2 16.0 Weight: 0.008 kg	Hex. 24.0 L1 14.1 L2 20.0 Weight: 0.009 kg
Hex. 25.4 L1 2.2 L2 6.0 Weight: 0.006 kg	Hex. 25.4 L1 5.2 L2 10.0 Weight: 0.007 kg	Hex. 25.4 L1 7.2 L2 16.0 Weight: 0.008 kg	Hex. 25.4 L1 14.1 L2 20.0 Weight: 0.009 kg
Hex. 32.0 L1 2.2 L2 6.0 Weight: 0.007 kg	Hex. 32.0 L1 5.2 L2 10.0 Weight: 0.008 kg	Hex. 32.0 L1 7.2 L2 16.0 Weight: 0.009 kg	Hex. 32.0 L1 14.1 L2 20.0 Weight: 0.010 kg
Hex. 38.0 L1 2.2 L2 6.0 Weight: 0.008 kg	Hex. 38.0 L1 5.2 L2 10.0 Weight: 0.009 kg	Hex. 38.0 L1 7.2 L2 16.0 Weight: 0.010 kg	Hex. 38.0 L1 14.1 L2 20.0 Weight: 0.011 kg

UNIT:mm

(Please confirm the specification clearly before ordering, please feel free to contact us.)